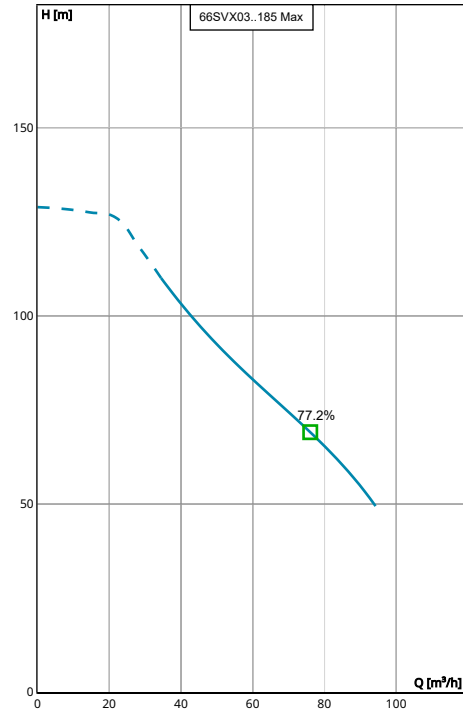


## 66SVX03N185PT04QBE | Configuration Summary



Take the efficiency and low lifetime costs of e-SV multistage pumps to new levels with hydrovar® X – first-class pump management that optimises connectivity, sustainability and performance. Hydrovar® X brings the best energy efficiency performances with its frequency converter coupled with the ultimate synchronous motor, manufactured by Xylem integrating decades of expertise and know-how in pumping solutions.



Performance according to ISO 9906:2012

### PUMP

Installation	Pump Size
Complete Pump	66SV
Hydrovar Name	
hydrovar X+	

### MATERIALS

Pump Body Material	Impeller Material
Stainless Steel	Stainless Steel (AISI 316L)

### SEAL

Type of Seal	Rotating Face
Mechanical Seals	Silicon Carbide
Name	Stationary Face
Q1BEGG	Resin Impregnated Carbon
	Elastomers
	EPDM
	Springs
	AISI 316
	Metal Components
	AISI 316
	Min Temperature
	-30.0 °C
	Max Temperature
	120.0 °C

### STANDARD OPTIONS

Special Configuration
Please Select

### MOTOR

Poles	Power
2	18.5 kW
	Phase (~)
	3
	Voltage
	380-480 V

### FLANGE

Flange
[N] = Round Flanges (AISI 316)

### VFD

Phase	Supply Voltage
3	380-480 V

**66SVX03N185PT04QBE** | Product Details



05104\_A\_DS

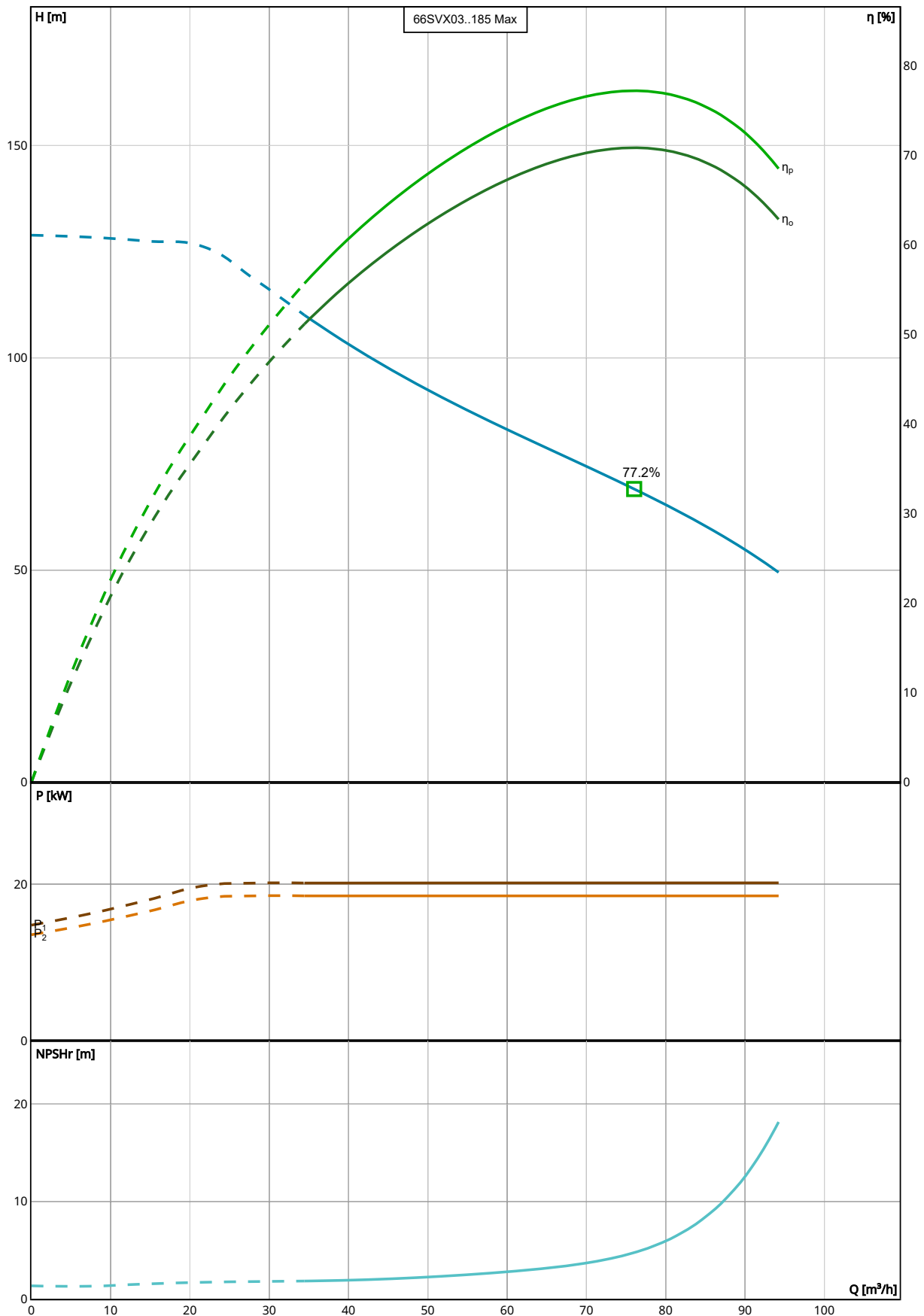
**Construction Materials**

<b>Pump body (1)</b> Stainless Steel / ASTM CF8M	<b>Outer sleeve (4)</b> Stainless steel / AISI 316L	<b>Coupling (8)</b> Cast Iron / ASTM Class 25	<b>Elastomers (11)</b> See Seal section
<b>Lower support (1A)</b> Stainless Steel / ASTM CF8M	<b>Shaft (5)</b> Duplex stainless steel	<b>Upper head (9)</b> Stainless Steel / ASTM CF8M	<b>Coupling protection (12)</b> Stainless steel / AISI 304
<b>Impeller (2)</b> Stainless steel / AISI 316L	<b>Adapter (6)</b> Cast Iron / ASTM Class 25	<b>Seal housing (9A)</b> Stainless Steel / ASTM CF8M	<b>Shaft sleeve and bushing (13)</b> Tungsten carbide
<b>Diffuser (3)</b> Stainless steel / AISI 316L	<b>Wear ring (7)</b> Technopolymer PPS	<b>Mechanical seal (10)</b> See Seal section	<b>Bushing for diffuser (14)</b> Carbon
<b>Fill / Drain plugs (15)</b> Stainless steel / AISI 316			
<b>Tie rods (16)</b> Stainless steel / AISI 431			

**Motor**

<b>Motor Name</b> EXM160B5SV/4.185D	<b>Rated power</b> 18.5 kW	<b>Enclosure</b> IP 55	<b>ICL</b> F
<b>Phase</b> 3	<b>IE Class</b> IE5	<b>Frame Size</b> 160	<b>Standard</b> IEC
<b>Voltage</b> 380-480 V	<b>Motor Vendor</b> Xylem		
<b>Speed</b> 3600.0 rpm			
<b>Rated Current</b> 33.4 A			

### 66SVX03N185PT04QBE | Hydraulic Data & Performance Curve



Performance according to ISO 9906:2012

**Selection**

Series  
e-SV hydrovar X

Standby Pumps  
No Standby Pump

Name  
66SVX03..185

Stages  
3

Frequency  
50 Hz

Acceptance Grade  
Manufacturer's Standard

System Type  
Single Pump

Operating Pumps  
1

**Fluid and Operating Conditions**

Fluid Type  
Water

Density  
1,000 kg/m<sup>3</sup>

Fluid Temperature  
4 °C

Dynamic Viscosity  
0.002 Pa·s

Specific Gravity  
1

Fluid Vapor Pressure  
8.14 mbar

Atmospheric Pressure  
1,013.53 mbar

Elevation  
0 m

Ambient Temperature  
20 °C

NPSH Available  
10.27 m

Submergence  
0 m

**Design Curve**

Rated Speed  
3,600 RPM

BEP  
77.2 %

Min Flow  
34.43 m<sup>3</sup>/h

BEP Flow  
76.02 m<sup>3</sup>/h

Max Flow  
94.23 m<sup>3</sup>/h

BEP Head  
69.1 m

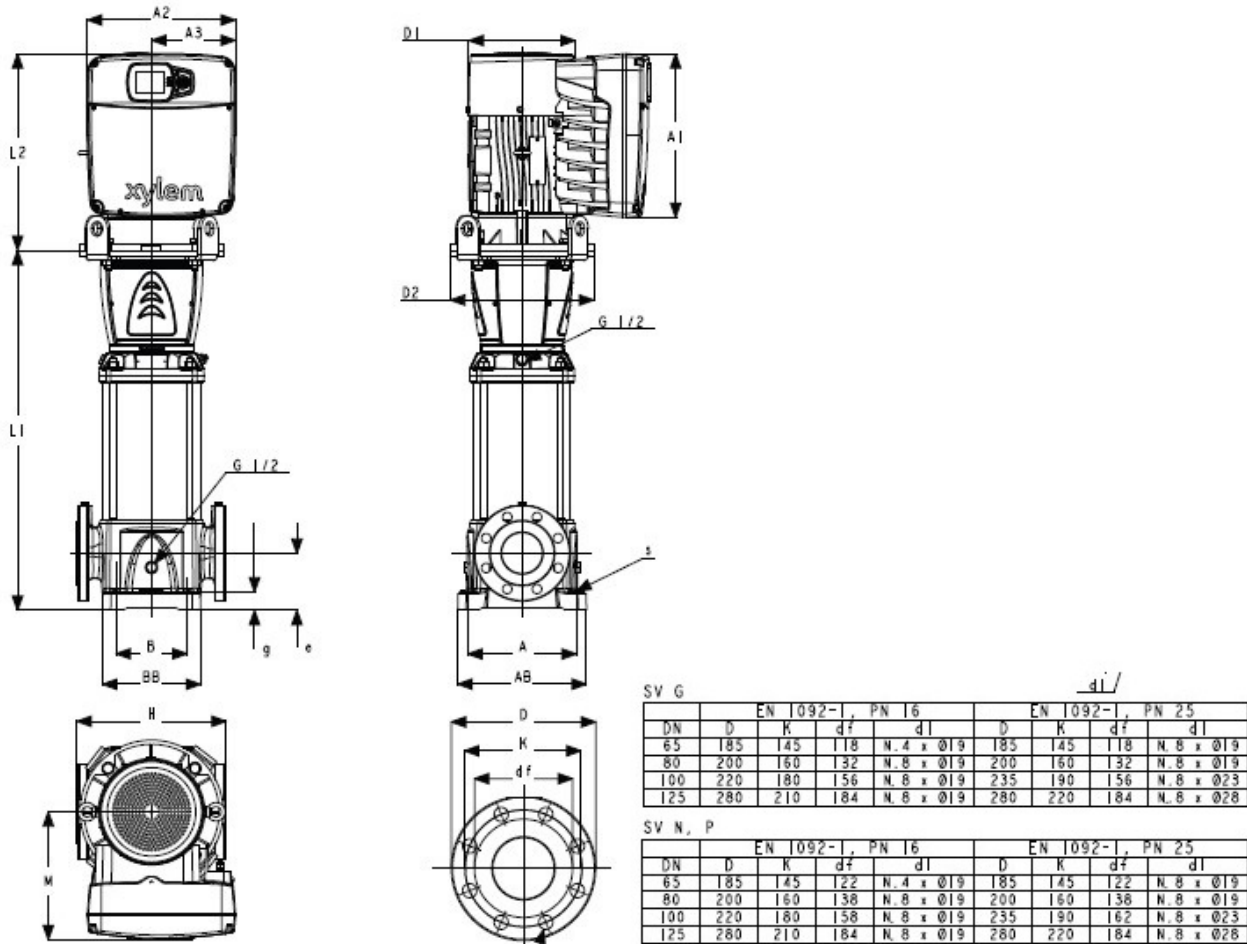
H@QMin  
110.06 m

Max Operating Pressure  
12,621.56 mbar

H@QMax  
49.47 m

Max P2  
18.5 kW

**66SVX03N185PT04QBE** | Dimensional Data & Drawing



Drawing is preliminary and is subject to change.

**Dimensions**

<b>A</b>	<b>D2</b>	<b>L1</b>	<b>Total Weight</b>
265 mm	350 mm	789 mm	164 kg
<b>AB</b>	<b>e</b>	<b>DN</b>	<b>L2</b>
315 mm	140 mm	100 mm	480 mm
<b>B</b>	<b>g</b>	<b>S.</b>	<b>D1</b>
190 mm	45 mm	4xØ15	260 mm
<b>BB</b>	<b>H</b>	<b>Weight (Pump)</b>	<b>A1</b>
240 mm	365 mm	86 kg	400 mm
<b>A2</b>			
362 mm			
<b>A3</b>			
205 mm			
<b>M</b>			
312 mm			