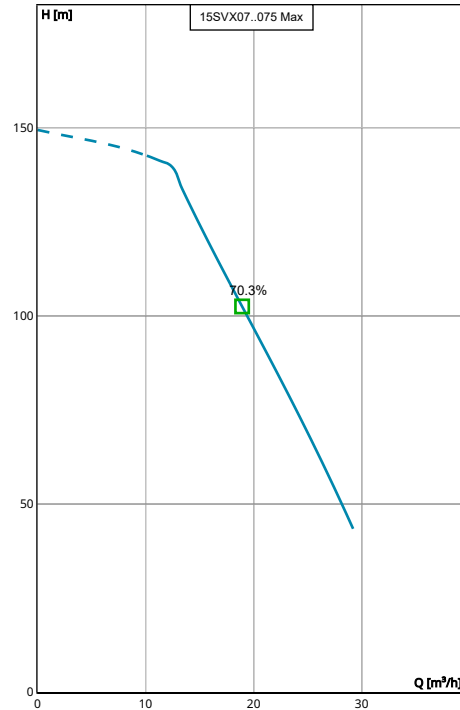


15SVX07T075PT04QBE | Configuration Summary



Take the efficiency and low lifetime costs of e-SV multistage pumps to new levels with hydrovar® X – first-class pump management that optimises connectivity, sustainability and performance. Hydrovar® X brings the best energy efficiency performances with its frequency converter coupled with the ultimate synchronous motor, manufactured by Xylem integrating decades of expertise and know-how in pumping solutions.



Performance according to ISO 9906:2012

PUMP

| | |
|----------------------|------------------|
| Installation | Pump Size |
| Complete Pump | 15SV |
| Hydrovar Name | |
| hydrovar X+ | |

MATERIALS

| | |
|----------------------------|----------------------------|
| Pump Body Material | Impeller Material |
| Stainless Steel (AISI 304) | Stainless Steel (AISI 304) |

SEAL

| | |
|---------------------|--------------------------|
| Type of Seal | Rotating Face |
| Mechanical Seals | Silicon Carbide |
| Name | Stationary Face |
| Q1BEGG | Resin Impregnated Carbon |
| | Elastomers |
| | EPDM |
| | Springs |
| | AISI 316 |
| | Metal Components |
| | AISI 316 |
| | Min Temperature |
| | -30.0 °C |
| | Max Temperature |
| | 120.0 °C |

STANDARD OPTIONS

Special Configuration
Please Select

MOTOR

| | |
|--------------|------------------|
| Poles | Power |
| 2 | 7.5 kW |
| | Phase (~) |
| | 3 |
| | Voltage |
| | 380-480 V |

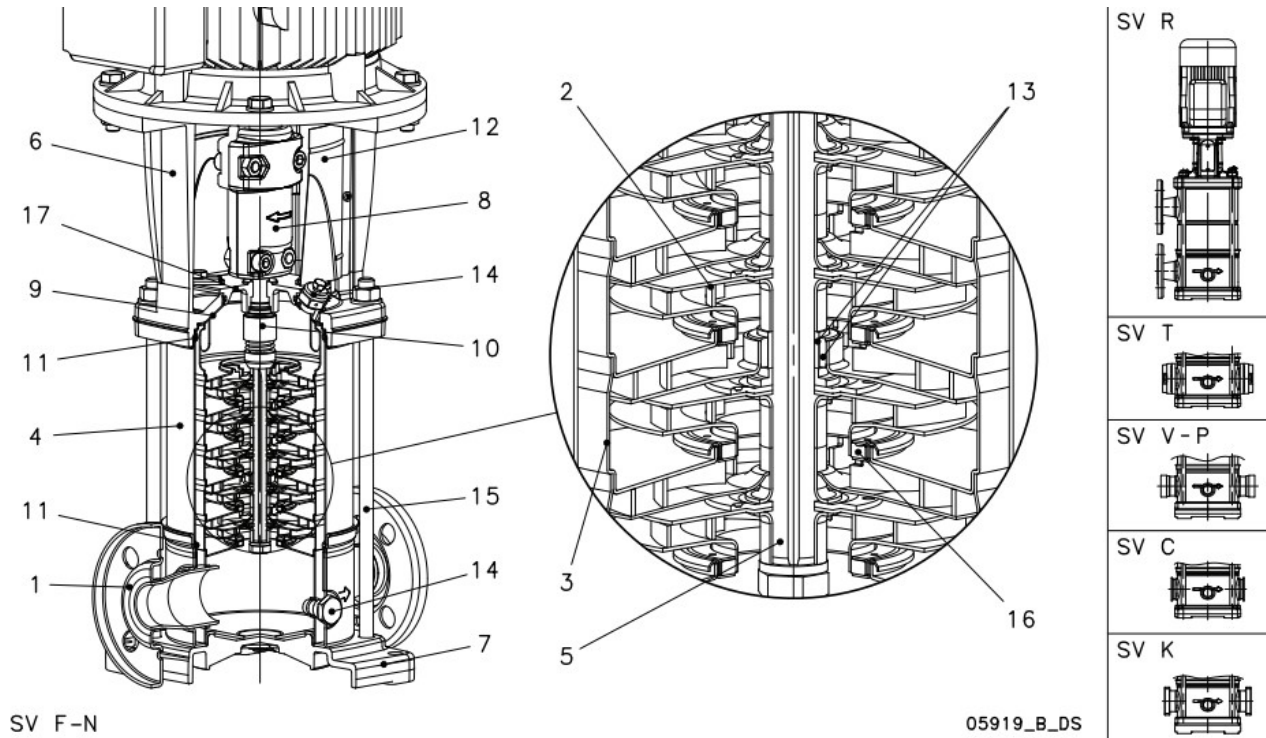
FLANGE

Flange
[T] = Oval Flanges (AISI 304)

VFD

| | |
|--------------|-----------------------|
| Phase | Supply Voltage |
| 3 | 380-480 V |

15SVX07T075PT04QBE | Product Details



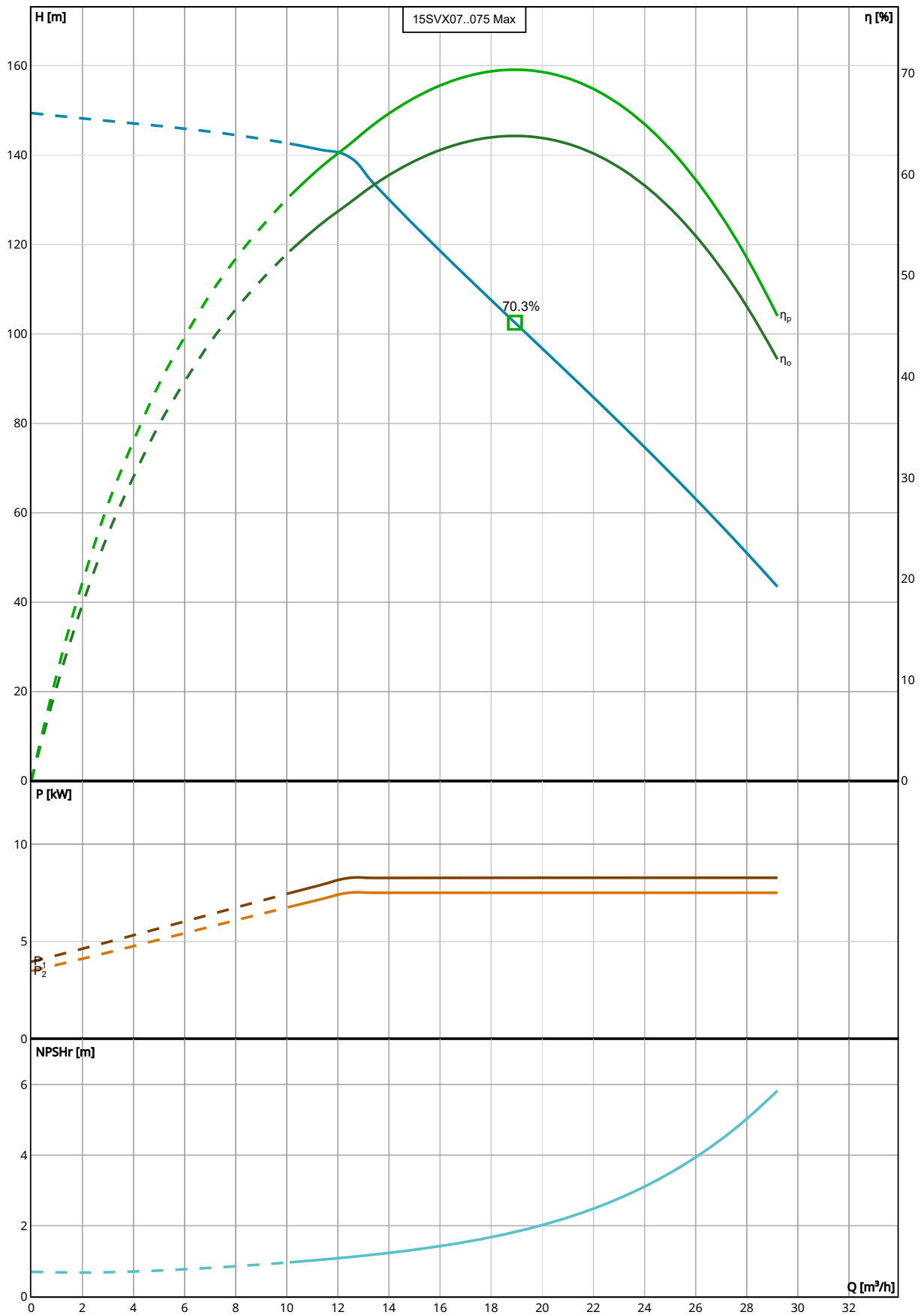
Construction Materials

| | | | |
|---|---|---|--|
| Pump body (1) Stainless steel / AISI 304 | Shaft (5) Stainless steel / AISI 304 | Seal plate (9) Stainless steel / AISI 304 | Shaft sleeve and bushing (13) Tungsten carbide |
| Impeller (2) Stainless steel / AISI 304 | Adapter (6) Cast Iron / ASTM Class 35 | Mechanical seal (10) See Seal section | Fill / Drain plugs (14) Stainless steel / AISI 304 |
| Diffuser (3) Stainless steel / AISI 304 | Base (7) Aluminium | Elastomers (11) See Seal section | Tie rods (15) Galvanized steel |
| Outer sleeve (4) Stainless steel / AISI 304 | Coupling (8) Aluminium | Coupling protection (12) Stainless steel / AISI 304 | Wear ring (16) Technopolymer PPS |
| Seal gland (17) Stainless steel / AISI 304 | | | |

Motor

| | | | |
|--|------------------------------|---------------------------|------------------------|
| Motor Name EXM132B5SV/4.075C | Rated power 7.5 kW | Enclosure IP 55 | ICL F |
| Phase 3 | IE Class IE5 | Frame Size 132 | Standard IEC |
| Voltage 380-480 V | Motor Vendor Xylem | | |
| Speed 3600.0 rpm | | | |
| Rated Current 13.7 A | | | |

15SVX07T075PT04QBE | Hydraulic Data & Performance Curve



Performance according to ISO 9906:2012

Selection

| | |
|-------------------------|-----------------|
| Series | Standby Pumps |
| e-SV hydrovar X | No Standby Pump |
| Name | |
| 15SVX07..075 | |
| Stages | |
| 7 | |
| Frequency | |
| 50 Hz | |
| Acceptance Grade | |
| Manufacturer's Standard | |
| System Type | |
| Single Pump | |
| Operating Pumps | |
| 1 | |

Fluid and Operating Conditions

| | |
|-------------------|-------------------------|
| Fluid Type | Density |
| Water | 1,000 kg/m ³ |
| Fluid Temperature | Dynamic Viscosity |
| 4 °C | 0.002 Pa·s |
| Specific Gravity | Fluid Vapor Pressure |
| 1 | 8.14 mbar |
| | Atmospheric Pressure |
| | 1,013.53 mbar |
| | Elevation |
| | 0 m |
| | Ambient Temperature |
| | 20 °C |
| | NPSH Available |
| | 10.27 m |
| | Submergence |
| | 0 m |

Design Curve

| | |
|-------------------------|-------------------------|
| Rated Speed | BEP |
| 3,600 RPM | 70.35 % |
| Min Flow | BEP Flow |
| 10.11 m ³ /h | 18.93 m ³ /h |
| Max Flow | BEP Head |
| 29.2 m ³ /h | 102.5 m |
| H@QMin | Max Operating Pressure |
| 142.56 m | 14,629.79 mbar |
| H@QMax | Max P2 |
| 43.44 m | 7.52 kW |

15SVX07T075PT04QBE | Dimensional Data & Drawing

Dimensions

There is no information available for the given configuration.