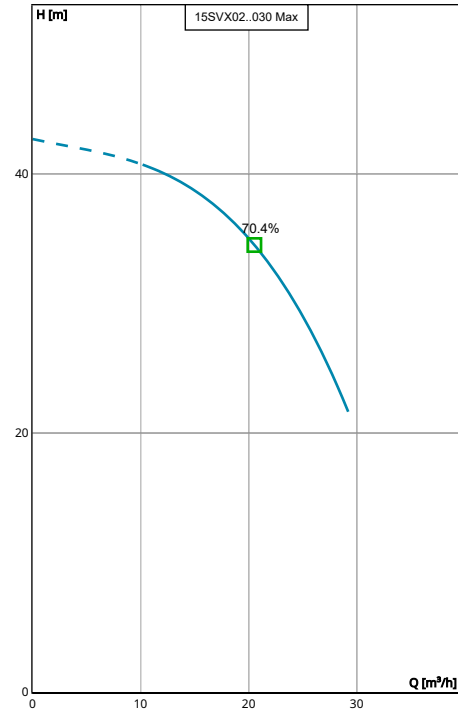


15SVX02T030PT04QBE | Configuration Summary



Take the efficiency and low lifetime costs of e-SV multistage pumps to new levels with hydrovar® X – first-class pump management that optimises connectivity, sustainability and performance. Hydrovar® X brings the best energy efficiency performances with its frequency converter coupled with the ultimate synchronous motor, manufactured by Xylem integrating decades of expertise and know-how in pumping solutions.



Performance according to ISO 9906:2012

PUMP

Installation	Pump Size
Complete Pump	15SV
Hydrovar Name	
hydrovar X+	

MATERIALS

Pump Body Material	Impeller Material
Stainless Steel (AISI 304)	Stainless Steel (AISI 304)

SEAL

Type of Seal	Rotating Face
Mechanical Seals	Silicon Carbide
Name	Stationary Face
Q1BEGG	Resin Impregnated Carbon
	Elastomers
	EPDM
	Springs
	AISI 316
	Metal Components
	AISI 316
	Min Temperature
	-30.0 °C
	Max Temperature
	120.0 °C

STANDARD OPTIONS

Special Configuration
Please Select

MOTOR

Poles	Power
2	3 kW
	Phase (~)
	3
	Voltage
	380-480 V

FLANGE

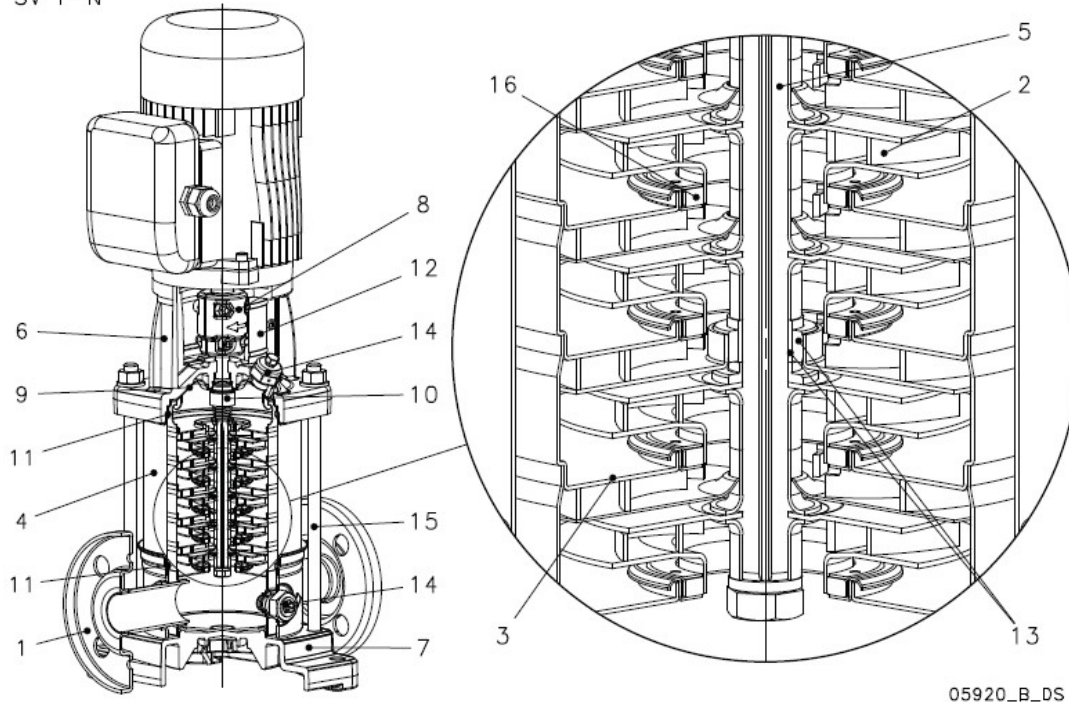
Flange
[T] = Oval Flanges (AISI 304)

VFD

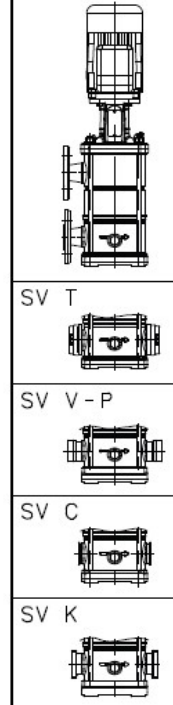
Phase	Supply Voltage
3	380-480 V

15SVX02T030PT04QBE | Product Details

SV F-N



SV R



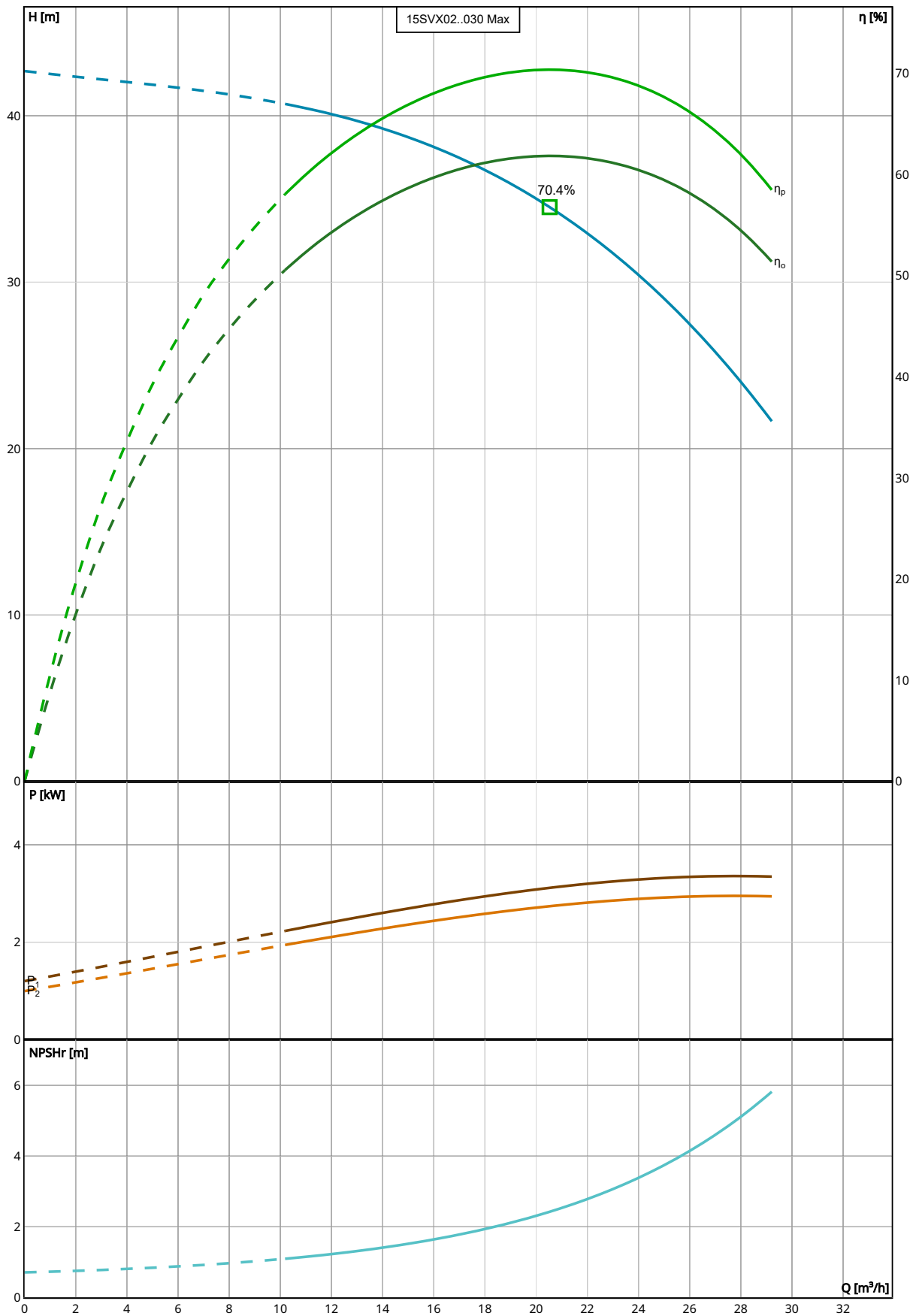
Construction Materials

Pump body (1) Stainless steel / AISI 304	Shaft (5) Stainless steel / AISI 304	Seal housing (9) Stainless steel / AISI 304	Shaft sleeve and bushing (13) Tungsten carbide
Impeller (2) Stainless steel / AISI 304	Adapter (6) Cast Iron / ASTM Class 35	Mechanical seal (10) See Seal section	Fill / Drain plugs (14) Stainless steel / AISI 304
Diffuser (3) Stainless steel / AISI 304	Base (7) Aluminium	Elastomers (11) See Seal section	Tie rods (15) Galvanized steel
Outer sleeve (4) Stainless steel / AISI 304	Coupling (8) Aluminium	Coupling protection (12) Stainless steel / AISI 304	Wear ring (16) Technopolymer PPS

Motor

Motor Name EXM100B14SV/4.030B	Rated power 3 kW	Enclosure IP 55	ICL F
Phase 3	IE Class IE5	Frame Size 100	Standard IEC
Voltage 380-480 V	Motor Vendor Xylem		
Speed 3600.0 rpm			
Rated Current 6.74 A			

15SVX02T030PT04QBE | Hydraulic Data & Performance Curve



Performance according to ISO 9906:2012

Selection

Series
e-SV hydrovar X

Standby Pumps
No Standby Pump

Name
15SVX02..030

Stages
2

Frequency
50 Hz

Acceptance Grade
Manufacturer's Standard

System Type
Single Pump

Operating Pumps
1

Fluid and Operating Conditions

Fluid Type
Water

Density
1,000 kg/m³

Fluid Temperature
4 °C

Dynamic Viscosity
0.002 Pa·s

Specific Gravity
1

Fluid Vapor Pressure
8.14 mbar

Atmospheric Pressure
1,013.53 mbar

Elevation
0 m

Ambient Temperature
20 °C

NPSH Available
10.27 m

Submergence
0 m

Design Curve

Rated Speed
3,600 RPM

BEP
70.36 %

Min Flow
10.18 m³/h

BEP Flow
20.53 m³/h

Max Flow
29.21 m³/h

BEP Head
34.51 m

H@QMin
40.71 m

Max Operating Pressure
4,179.8 mbar

H@QMax
21.65 m

Max P2
2.95 kW

15SVX02T030PT04QBE | Dimensional Data & Drawing

Dimensions

There is no information available for the given configuration.