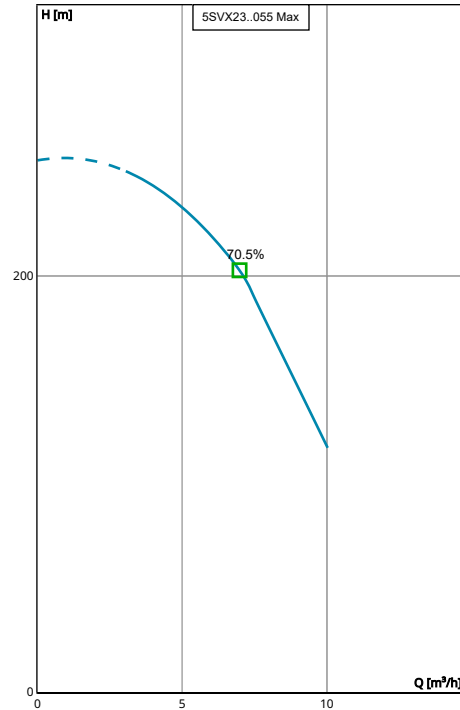


5SVX23N055PT04QBE | Configuration Summary



Take the efficiency and low lifetime costs of e-SV multistage pumps to new levels with hydrovar® X – first-class pump management that optimises connectivity, sustainability and performance. Hydrovar® X brings the best energy efficiency performances with its frequency converter coupled with the ultimate synchronous motor, manufactured by Xylem integrating decades of expertise and know-how in pumping solutions.



Performance according to ISO 9906:2012

PUMP

| | |
|--------------------------------------|-------------------------|
| Installation Complete Pump | Pump Size 5SV |
| Hydrovar Name hydrovar X+ | |

MATERIALS

| | |
|--|---|
| Pump Body Material Stainless Steel (AISI 316L) | Impeller Material Stainless Steel (AISI 316L) |
|--|---|

SEAL

| | |
|---|--|
| Type of Seal Mechanical Seals | Rotating Face Silicon Carbide |
| Name Q1BEGG | Stationary Face Resin Impregnated Carbon |
| | Elastomers EPDM |
| | Springs AISI 316 |
| | Metal Components AISI 316 |
| | Min Temperature -30.0 °C |
| | Max Temperature 120.0 °C |

STANDARD OPTIONS

Special Configuration
Please Select

MOTOR

| | |
|-------------------|-----------------------------|
| Poles 2 | Power 5.5 kW |
| | Phase (~) 3 |
| | Voltage 380-480 V |

FLANGE

Flange
[N] = Round Flanges (AISI 316)

VFD

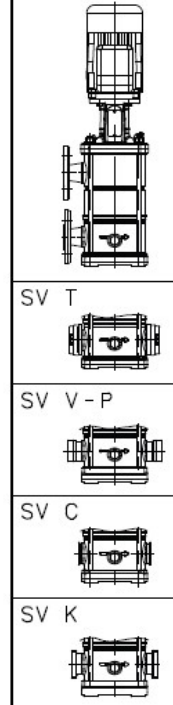
| | |
|-------------------|------------------------------------|
| Phase 3 | Supply Voltage 380-480 V |
|-------------------|------------------------------------|

5SVX23N055PT04QBE | Product Details

SV F-N



SV R



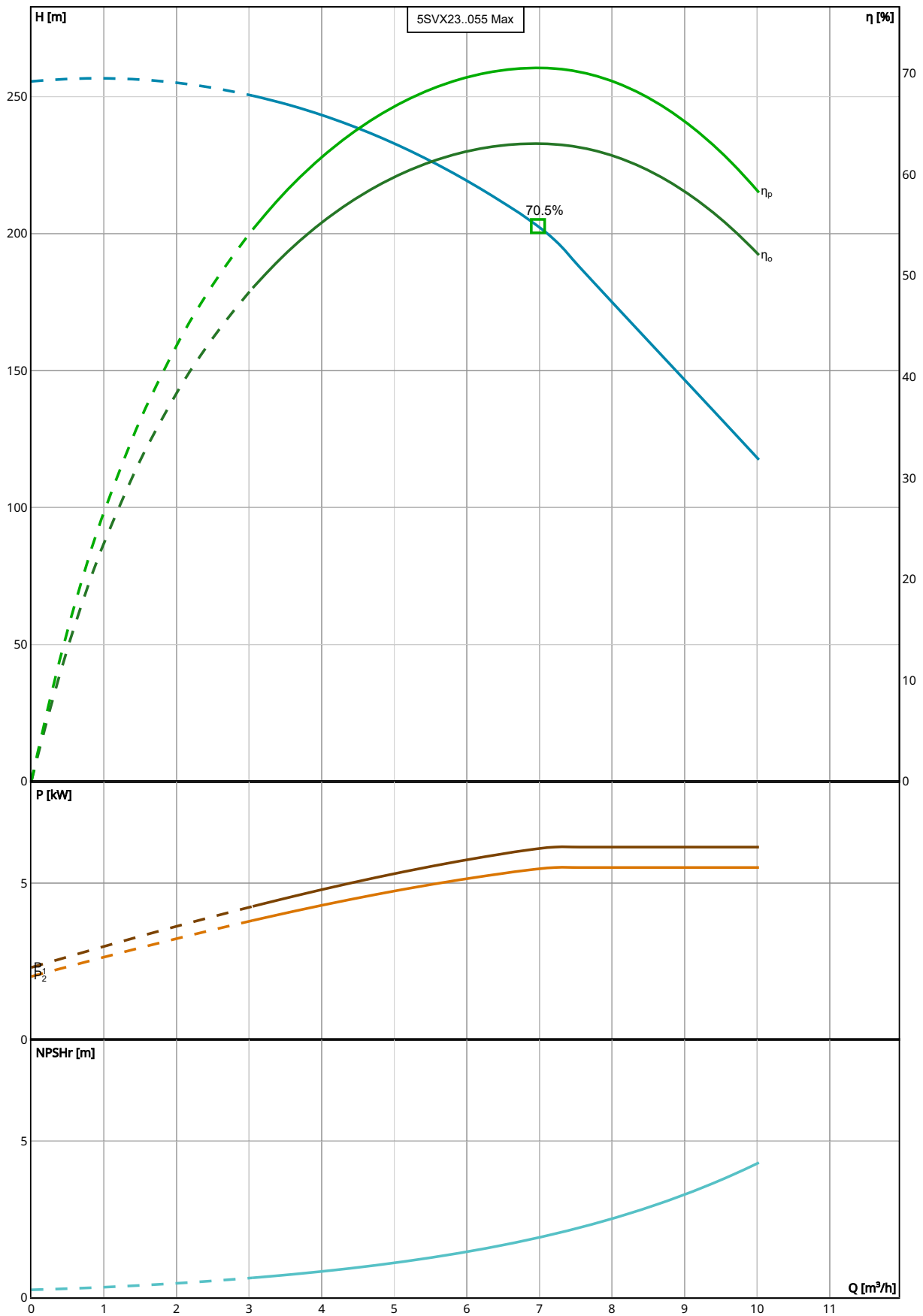
Construction Materials

| | | | |
|--|---|---|--|
| Pump body (1) Stainless steel / AISI 316L | Shaft (5) Stainless steel / AISI 316 | Seal housing (9) Stainless steel / AISI 316L | Shaft sleeve and bushing (13) Tungsten carbide |
| Impeller (2) Stainless steel / AISI 316L | Adapter (6) Cast Iron / ASTM Class 35 | Mechanical seal (10) See Seal section | Fill / Drain plugs (14) Stainless steel / AISI 316 |
| Diffuser (3) Stainless steel / AISI 316L | Base (7) Aluminium | Elastomers (11) See Seal section | Tie rods (15) Stainless steel / AISI 431 |
| Outer sleeve (4) Stainless steel / AISI 316L | Coupling (8) Aluminium | Coupling protection (12) Stainless steel / AISI 304 | Wear ring (16) Technopolymer PPS |

Motor

| | | | |
|--|------------------------------|---------------------------|------------------------|
| Motor Name EXM132B5SV/4.055B | Rated power 5.5 kW | Enclosure IP 55 | ICL F |
| Phase 3 | IE Class IE5 | Frame Size 132 | Standard IEC |
| Voltage 380-480 V | Motor Vendor Xylem | | |
| Speed 3600.0 rpm | | | |
| Rated Current 10.1 A | | | |

5SVX23N055PT04QBE | Hydraulic Data & Performance Curve



Performance according to ISO 9906:2012

Selection

| | |
|-------------------------|-----------------|
| Series | Standby Pumps |
| e-SV hydrovar X | No Standby Pump |
| Name | |
| 5SVX23..055 | |
| Stages | |
| 23 | |
| Frequency | |
| 50 Hz | |
| Acceptance Grade | |
| Manufacturer's Standard | |
| System Type | |
| Single Pump | |
| Operating Pumps | |
| 1 | |

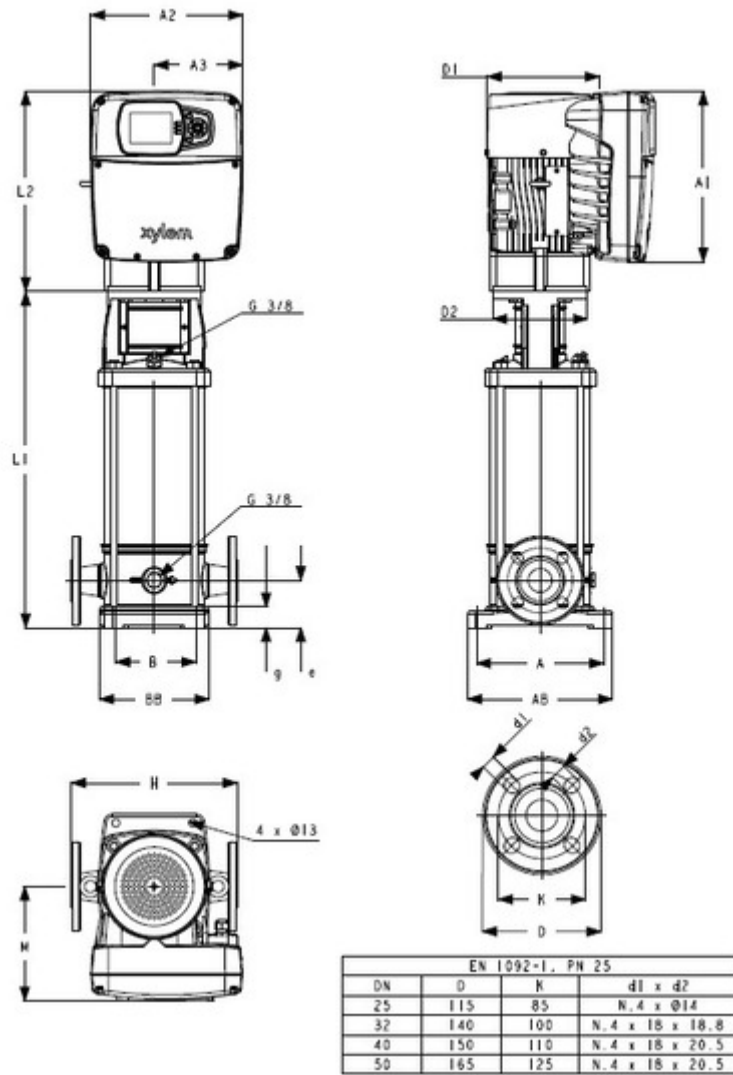
Fluid and Operating Conditions

| | |
|--------------------------|-------------------------|
| Fluid Type | Density |
| Water | 1,000 kg/m ³ |
| Fluid Temperature | Dynamic Viscosity |
| 4 °C | 0.002 Pa·s |
| Specific Gravity | Fluid Vapor Pressure |
| 1 | 8.14 mbar |
| | Atmospheric Pressure |
| | 1,013.53 mbar |
| | Elevation |
| | 0 m |
| | Ambient Temperature |
| | 20 °C |
| | NPSH Available |
| | 10.27 m |
| | Submergence |
| | 0 m |

Design Curve

| | |
|-------------------------|------------------------|
| Rated Speed | BEP |
| 3,600 RPM | 70.53 % |
| Min Flow | BEP Flow |
| 3.05 m ³ /h | 6.98 m ³ /h |
| Max Flow | BEP Head |
| 10.02 m ³ /h | 202.72 m |
| H@QMin | Max Operating Pressure |
| 250.33 m | 25,134.05 mbar |
| H@QMax | Max P2 |
| 117.46 m | 5.5 kW |

5SVX23N055PT04QBE | Dimensional Data & Drawing



Drawing is preliminary and is subject to change.

Dimensions

| | | | |
|---------------------|---------------------|---------------------------------|---------------------|
| A 180 mm | D2 300 mm | L1 843 mm | L2 349 mm |
| AB 210 mm | e 75 mm | DN 32 mm | D1 179 mm |
| B 100 mm | g 25 mm | Weight (Pump) 23.5 kg | A1 289 mm |
| BB 150 mm | H 250 mm | Total Weight 51.5 kg | A2 256 mm |
| A3 149 mm | | | |
| M 194 mm | | | |