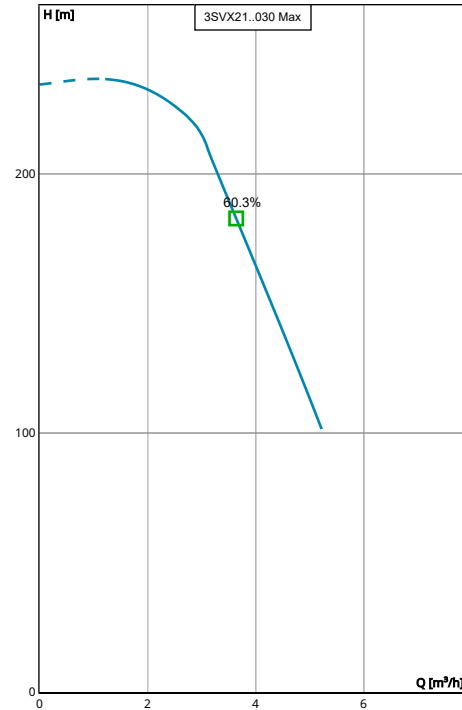


3SVX21N030PT04QBE | Configuration Summary



Take the efficiency and low lifetime costs of e-SV multistage pumps to new levels with hydrovar® X – first-class pump management that optimises connectivity, sustainability and performance. Hydrovar® X brings the best energy efficiency performances with its frequency converter coupled with the ultimate synchronous motor, manufactured by Xylem integrating decades of expertise and know-how in pumping solutions.



Performance according to ISO 9906:2012

PUMP

Installation Complete Pump	Pump Size 3SV
Hydrovar Name hydrovar X+	

MATERIALS

Pump Body Material Stainless Steel (AISI 316L)	Impeller Material Stainless Steel (AISI 316L)
--	---

SEAL

Type of Seal Mechanical Seals	Rotating Face Silicon Carbide
Name Q1BEGG	Stationary Face Resin Impregnated Carbon
	Elastomers EPDM
	Springs AISI 316
	Metal Components AISI 316
	Min Temperature -30.0 °C
	Max Temperature 120.0 °C

STANDARD OPTIONS

Special Configuration
Please Select

MOTOR

Poles 2	Power 3 kW
	Phase (~) 3
	Voltage 380-480 V

FLANGE

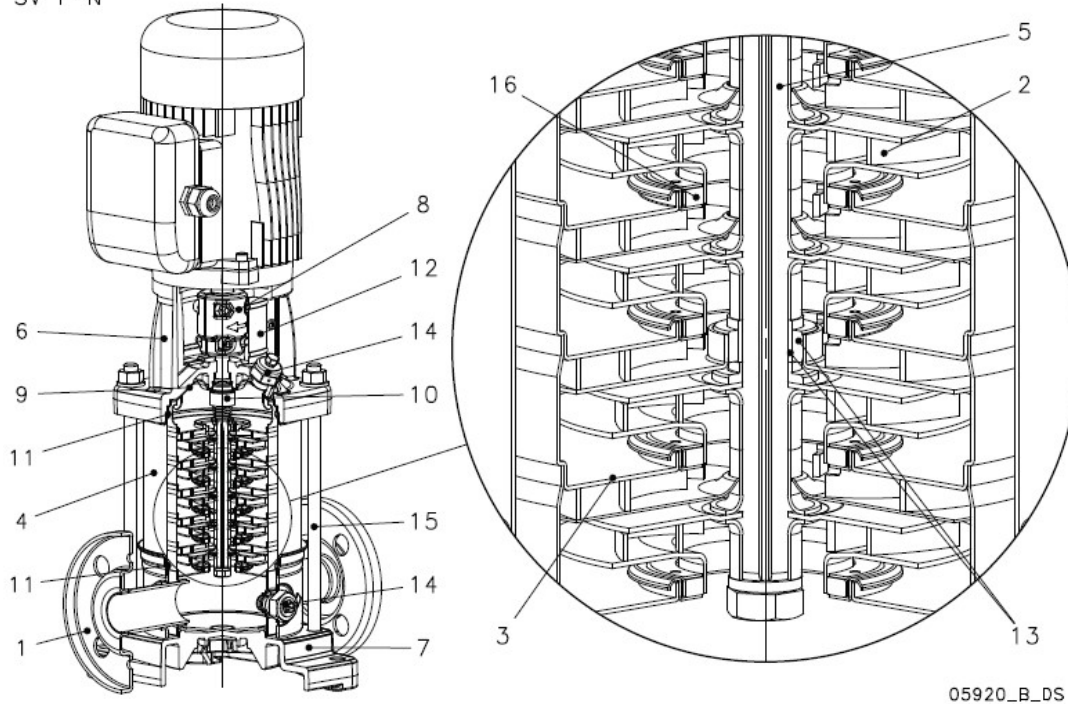
Flange
[N] = Round Flanges (AISI 316)

VFD

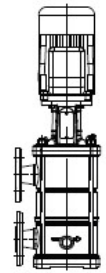
Phase 3	Supply Voltage 380-480 V
-------------------	------------------------------------

3SVX21N030PT04QBE | Product Details

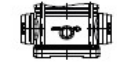
SV F-N



SV R



SV T



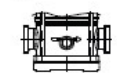
SV V-P



SV C



SV K



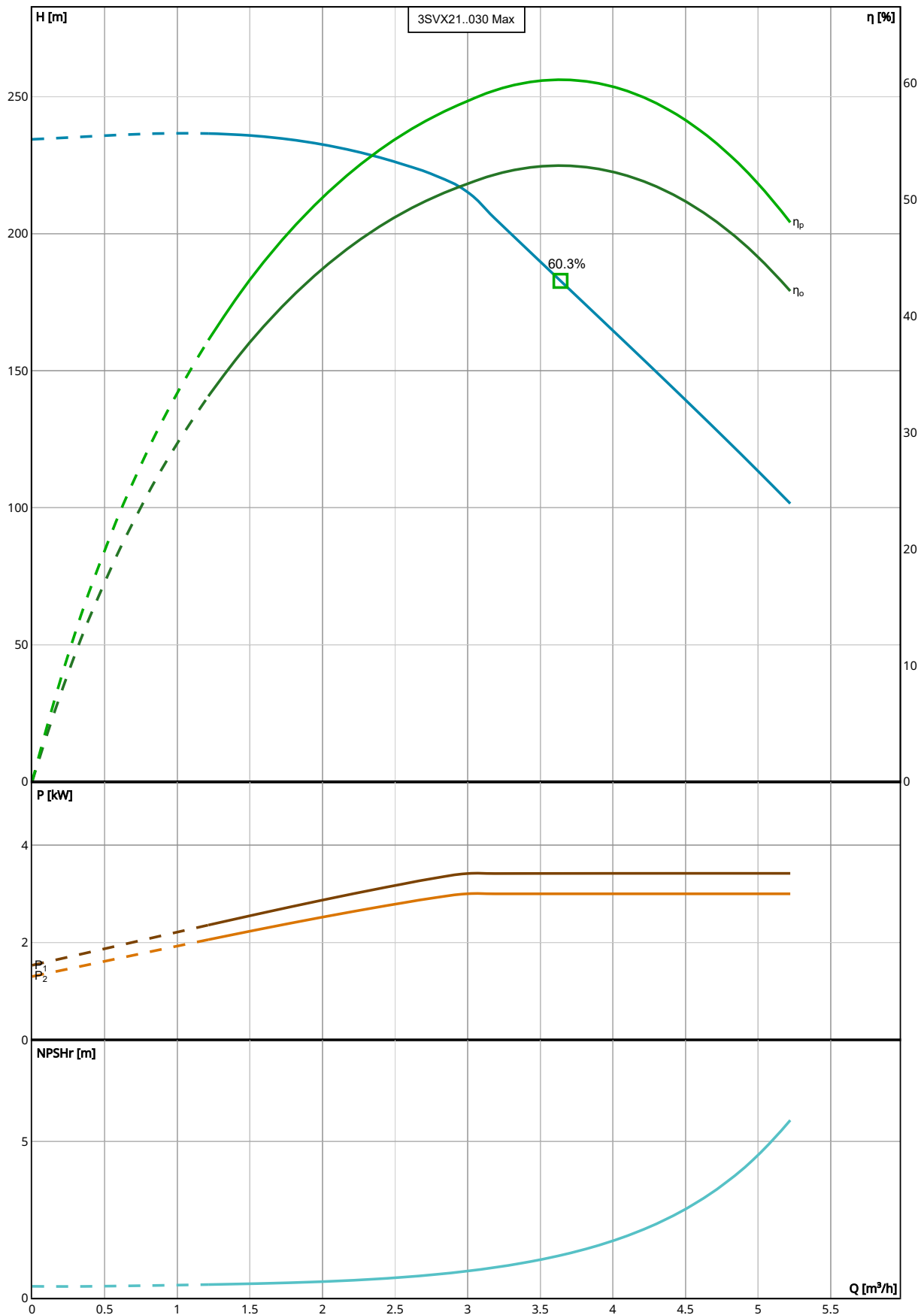
Construction Materials

Pump body (1) Stainless steel / AISI 316L	Shaft (5) Stainless steel / AISI 316	Seal housing (9) Stainless steel / AISI 316L	Shaft sleeve and bushing (13) Tungsten carbide
Impeller (2) Stainless steel / AISI 316L	Adapter (6) Cast Iron / ASTM Class 35	Mechanical seal (10) See Seal section	Fill / Drain plugs (14) Stainless steel / AISI 316
Diffuser (3) Stainless steel / AISI 316L	Base (7) Aluminium	Elastomers (11) See Seal section	Tie rods (15) Stainless steel / AISI 431
Outer sleeve (4) Stainless steel / AISI 316L	Coupling (8) Aluminium	Coupling protection (12) Stainless steel / AISI 304	Wear ring (16) Technopolymer PPS

Motor

Motor Name EXM100B14SV/4.030B	Rated power 3 kW	Enclosure IP 55	ICL F
Phase 3	IE Class IE5	Frame Size 100	Standard IEC
Voltage 380-480 V	Motor Vendor Xylem		
Speed 3600.0 rpm			
Rated Current 6.74 A			

3SVX21N030PT04QBE | Hydraulic Data & Performance Curve



Performance according to ISO 9906:2012

Selection

Series
e-SV hydrovar X

Standby Pumps
No Standby Pump

Name
3SVX21..030

Stages
21

Frequency
50 Hz

Acceptance Grade
Manufacturer's Standard

System Type
Single Pump

Operating Pumps
1

Fluid and Operating Conditions

Fluid Type
Water

Density
1,000 kg/m³

Fluid Temperature
4 °C

Dynamic Viscosity
0.002 Pa·s

Specific Gravity
1

Fluid Vapor Pressure
8.14 mbar

Atmospheric Pressure
1,013.53 mbar

Elevation
0 m

Ambient Temperature
20 °C

NPSH Available
10.27 m

Submergence
0 m

Design Curve

Rated Speed
3,600 RPM

BEP
60.29 %

Min Flow
1.21 m³/h

BEP Flow
3.64 m³/h

Max Flow
5.22 m³/h

BEP Head
182.79 m

H@QMin
236.54 m

Max Operating Pressure
23,172.73 mbar

H@QMax
101.53 m

Max P2
3.01 kW

3SVX21N030PT04QBE | Dimensional Data & Drawing



Drawing is preliminary and is subject to change.

Dimensions

A 180 mm	D2 160 mm	L1 668 mm	L2 339 mm
AB 210 mm	e 75 mm	DN 25 mm	D1 179 mm
B 100 mm	g 25 mm	Weight (Pump) 16.8 kg	A1 289 mm
BB 150 mm	H 250 mm	Total Weight 41.28 kg	A2 256 mm
A3 149 mm			
M 194 mm			