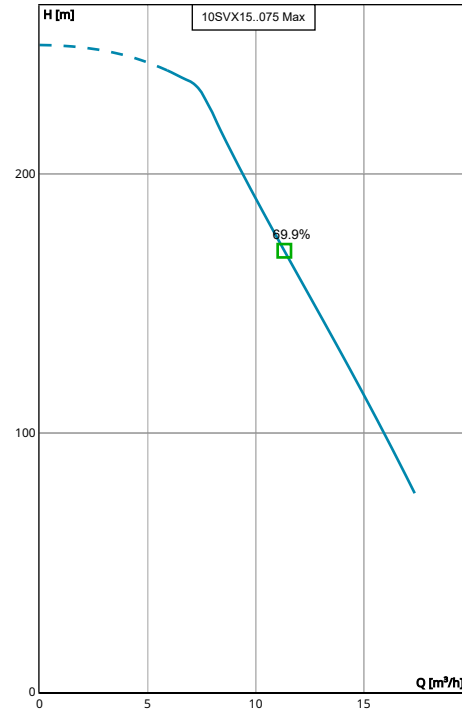


10SVX15F075PT04QBE | Configuration Summary



Take the efficiency and low lifetime costs of e-SV multistage pumps to new levels with hydrovar® X – first-class pump management that optimises connectivity, sustainability and performance. Hydrovar® X brings the best energy efficiency performances with its frequency converter coupled with the ultimate synchronous motor, manufactured by Xylem integrating decades of expertise and know-how in pumping solutions.



Performance according to ISO 9906:2012

PUMP

Installation	Pump Size
Complete Pump	10SV
Hydrovar Name	
hydrovar X+	

MATERIALS

Pump Body Material	Impeller Material
Stainless Steel (AISI 304)	Stainless Steel (AISI 304)

SEAL

Type of Seal	Rotating Face
Mechanical Seals	Silicon Carbide
Name	Stationary Face
Q1BEGG	Resin Impregnated Carbon
	Elastomers
	EPDM
	Springs
	AISI 316
	Metal Components
	AISI 316
	Min Temperature
	-30.0 °C
	Max Temperature
	120.0 °C

STANDARD OPTIONS

Special Configuration
Please Select

MOTOR

Poles	Power
2	7.5 kW
	Phase (~)
	3
	Voltage
	380-480 V

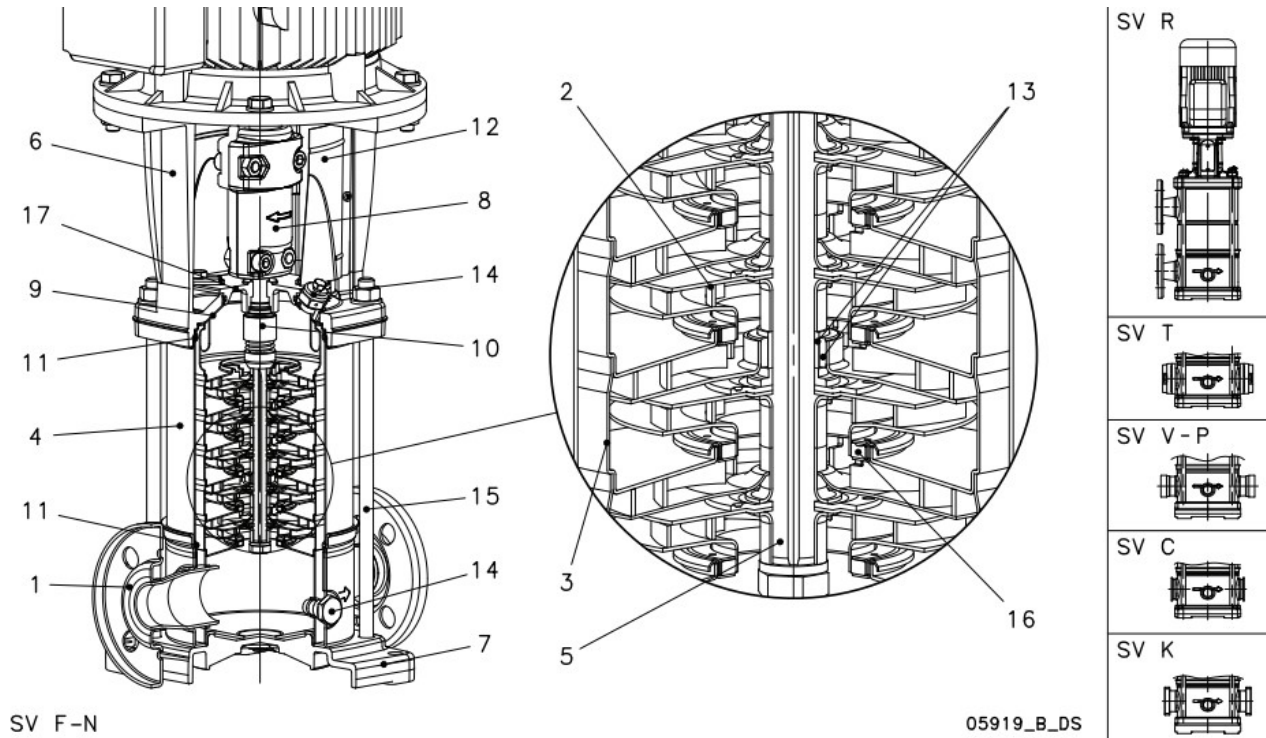
FLANGE

Flange
[F] = Round Flanges (AISI 304)

VFD

Phase	Supply Voltage
3	380-480 V

10SVX15F075PT04QBE | Product Details



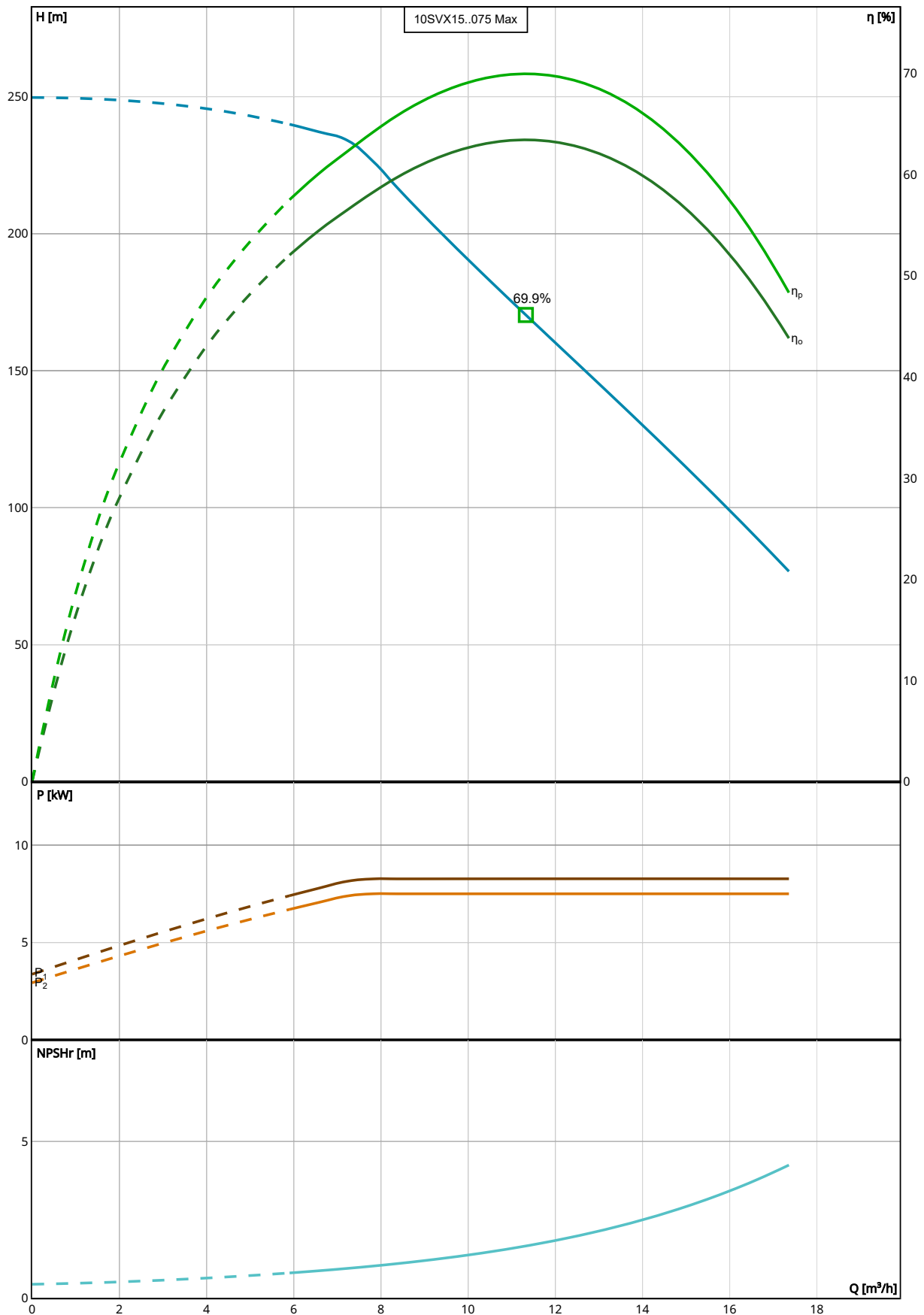
Construction Materials

Pump body (1) Stainless steel / AISI 304	Shaft (5) Stainless steel / AISI 304	Seal plate (9) Stainless steel / AISI 304	Shaft sleeve and bushing (13) Tungsten carbide
Impeller (2) Stainless steel / AISI 304	Adapter (6) Cast Iron / ASTM Class 35	Mechanical seal (10) See Seal section	Fill / Drain plugs (14) Stainless steel / AISI 304
Diffuser (3) Stainless steel / AISI 304	Base (7) Aluminium	Elastomers (11) See Seal section	Tie rods (15) Galvanized steel
Outer sleeve (4) Stainless steel / AISI 304	Coupling (8) Aluminium	Coupling protection (12) Stainless steel / AISI 304	Wear ring (16) Technopolymer PPS
Seal gland (17) Stainless steel / AISI 304			

Motor

Motor Name EXM132B5SV/4.075C	Rated power 7.5 kW	Enclosure IP 55	ICL F
Phase 3	IE Class IE5	Frame Size 132	Standard IEC
Voltage 380-480 V	Motor Vendor Xylem		
Speed 3600.0 rpm			
Rated Current 13.7 A			

10SVX15F075PT04QBE | Hydraulic Data & Performance Curve



Performance according to ISO 9906:2012

Selection

Series
e-SV hydrovar X

Standby Pumps
No Standby Pump

Name
10SVX15..075

Stages
15

Frequency
50 Hz

Acceptance Grade
Manufacturer's Standard

System Type
Single Pump

Operating Pumps
1

Fluid and Operating Conditions

Fluid Type
Water

Density
1,000 kg/m³

Fluid Temperature
4 °C

Dynamic Viscosity
0.002 Pa·s

Specific Gravity
1

Fluid Vapor Pressure
8.14 mbar

Atmospheric Pressure
1,013.53 mbar

Elevation
0 m

Ambient Temperature
20 °C

NPSH Available
10.27 m

Submergence
0 m

Design Curve

Rated Speed
3,600 RPM

BEP
69.94 %

Min Flow
5.91 m³/h

BEP Flow
11.33 m³/h

Max Flow
17.36 m³/h

BEP Head
170.33 m

H@QMin
239.91 m

Max Operating Pressure
24,451.57 mbar

H@QMax
76.79 m

Max P2
7.5 kW

10SVX15F075PT04QBE | Dimensional Data & Drawing



Drawing is preliminary and is subject to change.

Dimensions

A 215 mm	D2 300 mm	L1 860 mm	L2 391 mm
AB 245 mm	e 80 mm	DN 40 mm	D1 220 mm
B 130 mm	g 28 mm	Weight (Pump) 35 kg	A1 329 mm
BB 185 mm	H 280 mm	Total Weight 77 kg	A2 302 mm
A3 175 mm			
M 241 mm			