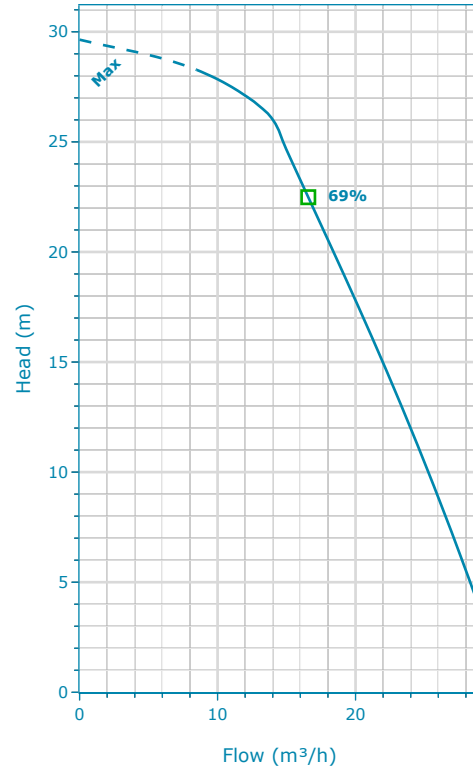


15SVE02F015POT/5 | Configuration Summary



The SVE pump is a non-self priming vertical multistage pump coupled with eSM drive. The pump casing is available with different configurations and connection types.



PUMP

Installation
Complete Pump

MATERIALS

| | |
|---|--|
| Pump Body Material Stainless Steel (AISI 304) | Impeller Material Stainless Steel (AISI 304) |
|---|--|

SEAL

| | |
|---|--|
| Type of Seal Mechanical Seals | Rotating Face Silicon Carbide |
| Name Q1BEGG | Stationary Face Resin Impregnated Carbon |
| | Elastomers EPDM |
| | Springs AISI 316 |
| | Metal Components AISI 316 |
| | Min Temperature -30.0 °C |
| | Max Temperature 120.0 °C |

MOTOR

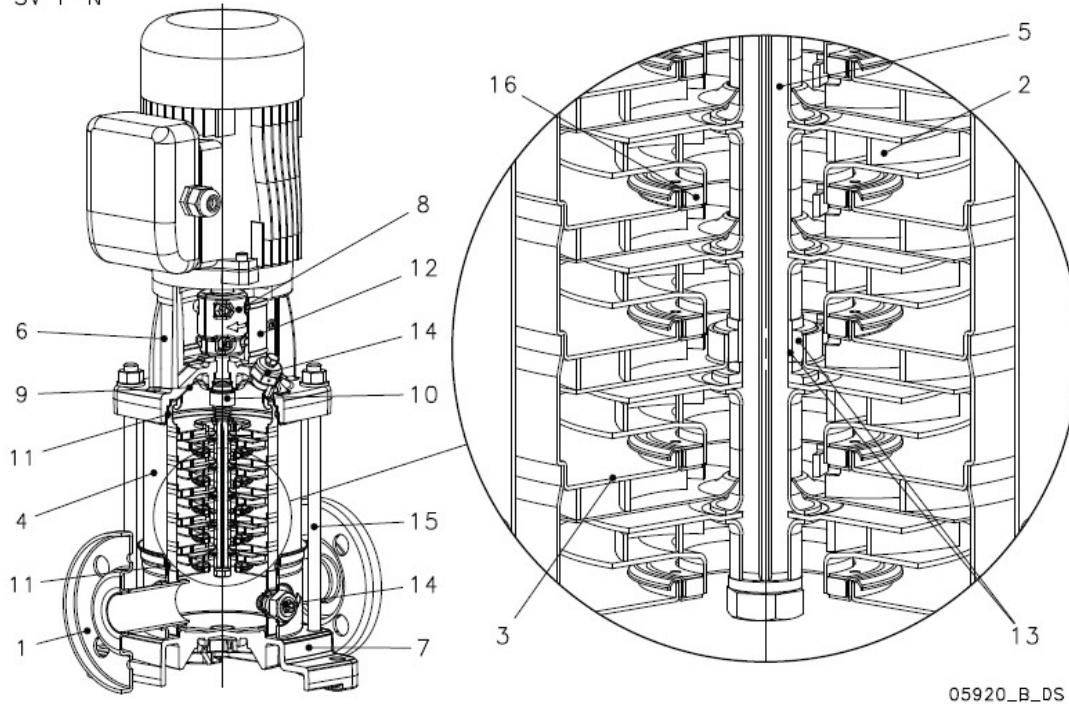
| | |
|-------------------|-------------------------------------|
| Poles 2 | Power 1.5 kW |
| | Phase (~) 3 |
| | Voltage 208-240/380-460 V |

FLANGE

Flange
[F] = Round Flanges (AISI 304)

15SVE02F015P0T/5 | Product Details

SV F-N



05920_B_DS

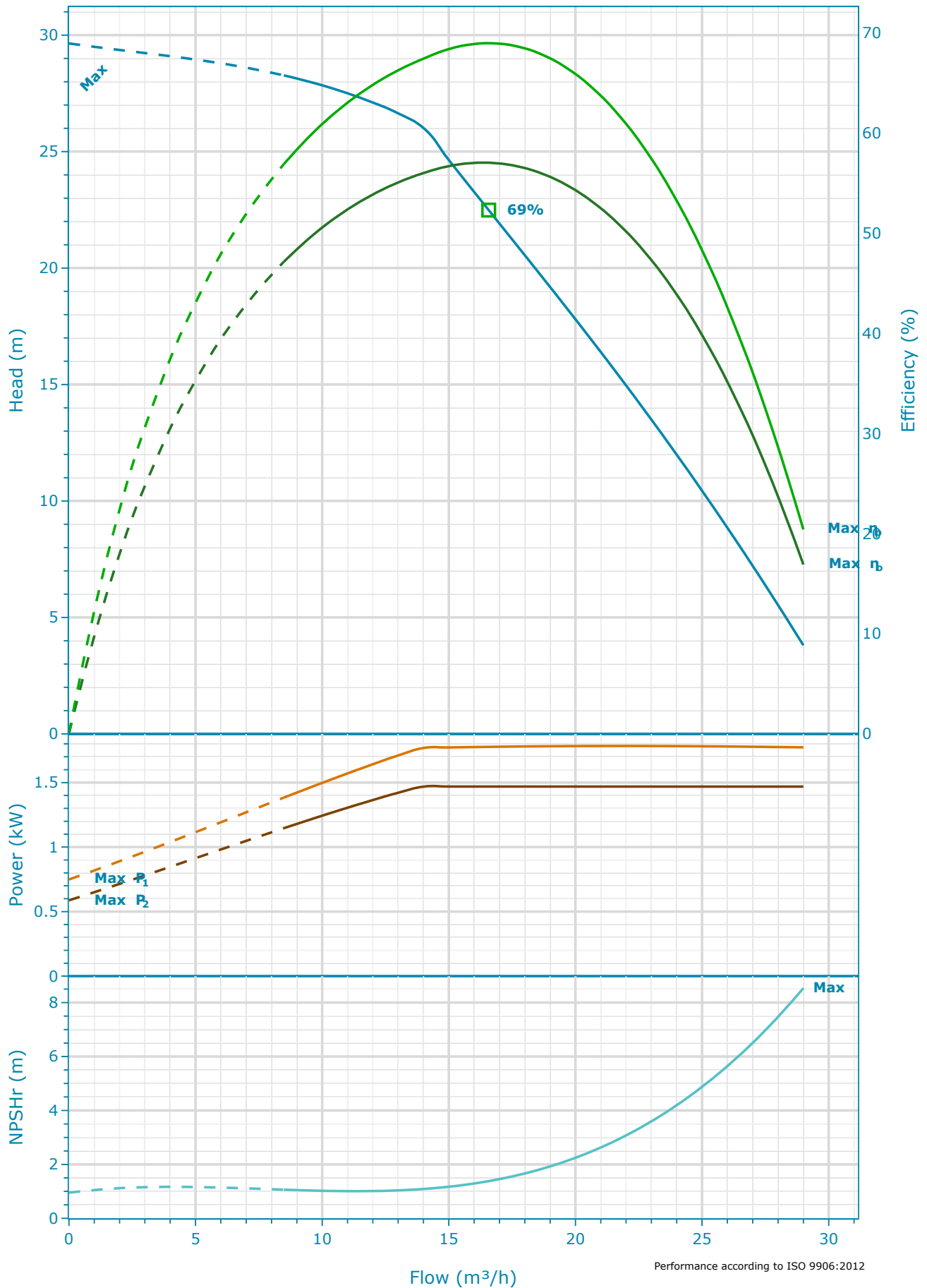
Construction Materials

| | | | |
|---|---|---|--|
| Pump body (1) Stainless steel / AISI 304 | Shaft (5) Stainless steel / AISI 304 | Seal housing (9) Stainless steel / AISI 304 | Shaft sleeve and bushing (13) Tungsten carbide |
| Impeller (2) Stainless steel / AISI 304 | Adapter (6) Cast Iron / ASTM Class 35 | Mechanical seal (10) See Seal section | Fill / Drain plugs (14) Stainless steel / AISI 304 |
| Diffuser (3) Stainless steel / AISI 304 | Base (7) Aluminium | Elastomers (11) See Seal section | Tie rods (15) Galvanized steel |
| Outer sleeve (4) Stainless steel / AISI 304 | Coupling (8) Aluminium | Coupling protection (12) Stainless steel / AISI 304 | Wear ring (16) Technopolymer PPS |

Motor

| | | | |
|-------------------------------------|---|---------------------------|------------------------|
| Motor Name ESM90R/315 SVE | Phase 3 | Enclosure IP 55 | ICL F |
| Design e-SM Motor | Rated power 1.5 kW | Frame Size 90R | Standard IEC |
| Service Factor 1 | Rated Current 6.69-6.08/4.48-3.97 A | | |
| Voltage 208-240/380-460 V | Motor Vendor Lowara | | |
| Speed 3600.0 rpm | | | |

15SVE02F015POT/5 | Hydraulic Data & Performance Curve



Selection

Series Standby Pumps
e-SVE No Standby Pump

Name
15SVE02..015

Stages
2

Frequency
50 Hz

Acceptance Grade
Manufacturer's Standard

System Type
Single Pump

Operating Pumps
1

Fluid and Operating Conditions

Fluid Type Density
Water 1,000 kg/m³

Fluid Temperature Dynamic Viscosity
4 °C 0.002 Pa·s

Specific Gravity Fluid Vapor Pressure
1 8.14 mbar

Atmospheric Pressure
1,013.53 mbar

Elevation
0 m

Ambient Temperature
20 °C

NPSH Available
10.27 m

Submergence
0 m

Design Curve

Rated Speed BEP
3,600 RPM 68.98 %

Min Flow BEP Flow
8.49 m³/h 16.58 m³/h

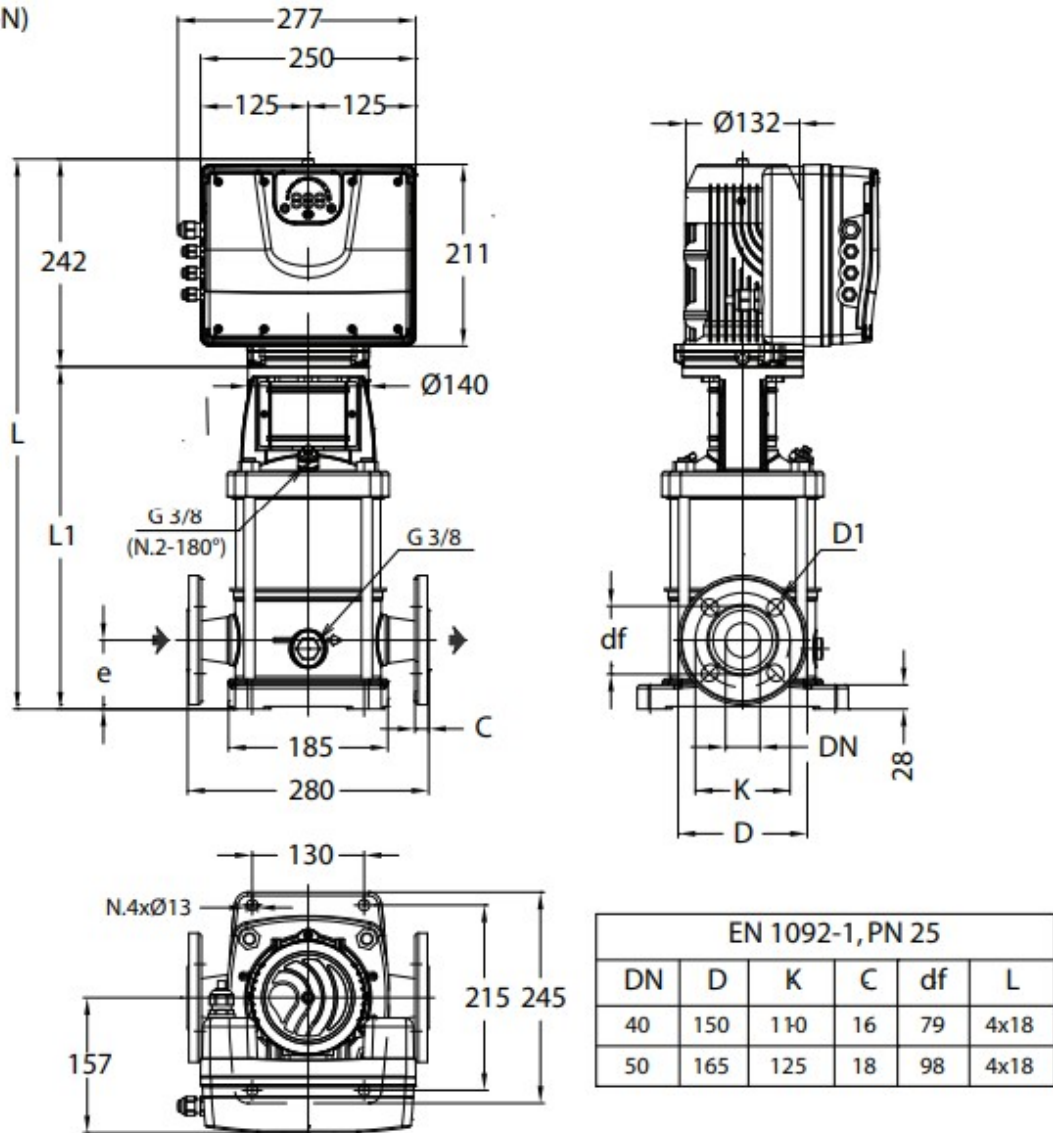
Max Flow BEP Head
29 m³/h 22.49 m

H@QMin Max Operating Pressure
28.27 m 2,902.64 mbar

H@QMax Max P2
3.8 m 1.47 kW

15SVE02F015POT/5 | Dimensional Data & Drawing

10-15-22SVE (F-N)



Drawing is preliminary and is subject to change.

Dimensions

| | |
|--------|---------------|
| e | Weight (Pump) |
| 90 mm | 16.8 kg |
| L | Total Weight |
| 661 mm | 31.3 kg |
| L1 | |
| 419 mm | |
| DN | |
| 50 mm | |