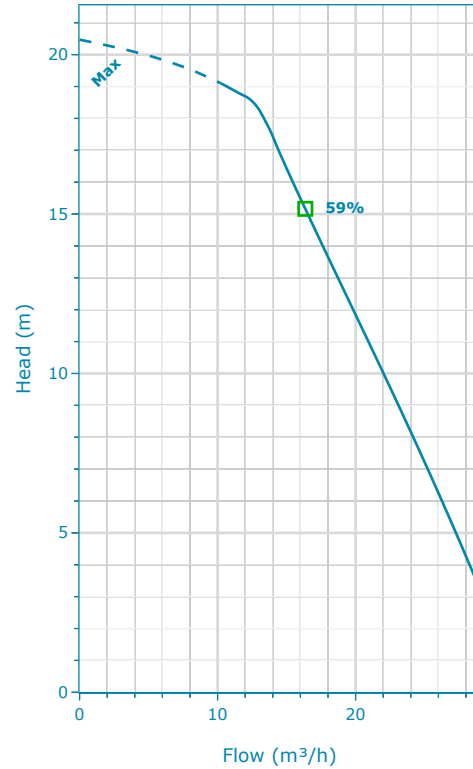


## 15SVE01F011POT/5 | Configuration Summary



The SVE pump is a non-self priming vertical multistage pump coupled with eSM drive. The pump casing is available with different configurations and connection types.



### PUMP

**Installation**  
Complete Pump

### MATERIALS

<b>Pump Body Material</b> Stainless Steel (AISI 304)	<b>Impeller Material</b> Stainless Steel (AISI 304)
---	--

### SEAL

<b>Type of Seal</b> Mechanical Seals	<b>Rotating Face</b> Silicon Carbide
<b>Name</b> Q1BEGG	<b>Stationary Face</b> Resin Impregnated Carbon
	<b>Elastomers</b> EPDM
	<b>Springs</b> AISI 316
	<b>Metal Components</b> AISI 316
	<b>Min Temperature</b> -30.0 °C
	<b>Max Temperature</b> 120.0 °C

### MOTOR

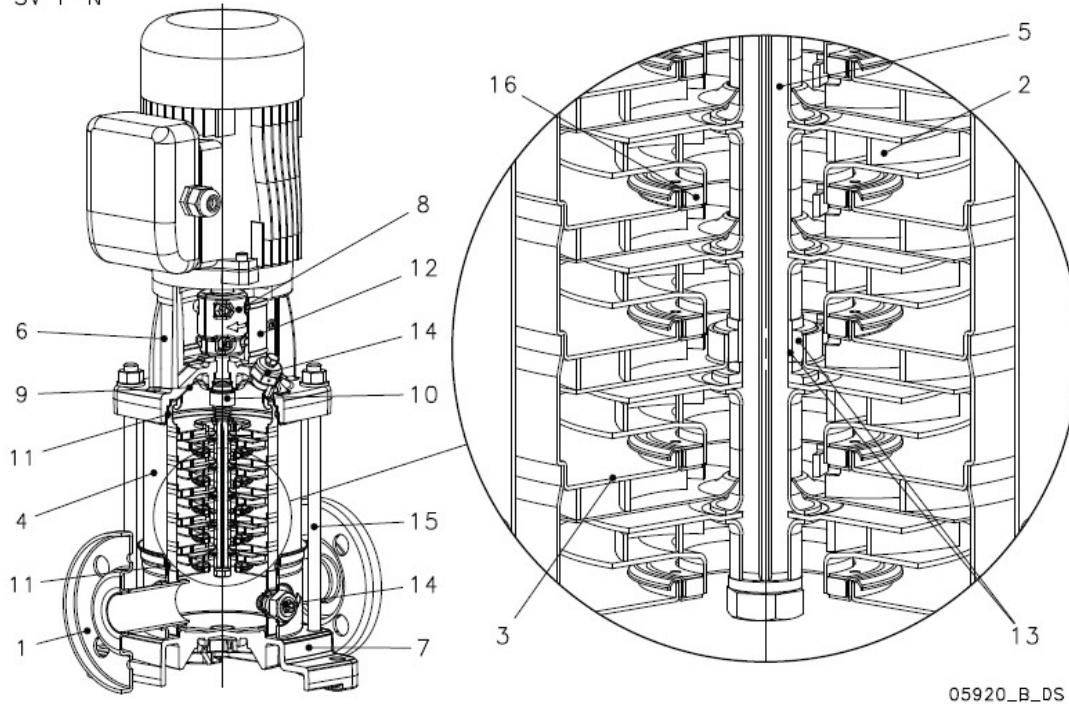
<b>Poles</b> 2	<b>Power</b> 1.1 kW
	<b>Phase (~)</b> 3
	<b>Voltage</b> 208-240/380-460 V

### FLANGE

**Flange**  
[F] = Round Flanges (AISI 304)

**15SVE01F011POT/5** | Product Details

SV F-N



05920\_B\_DS

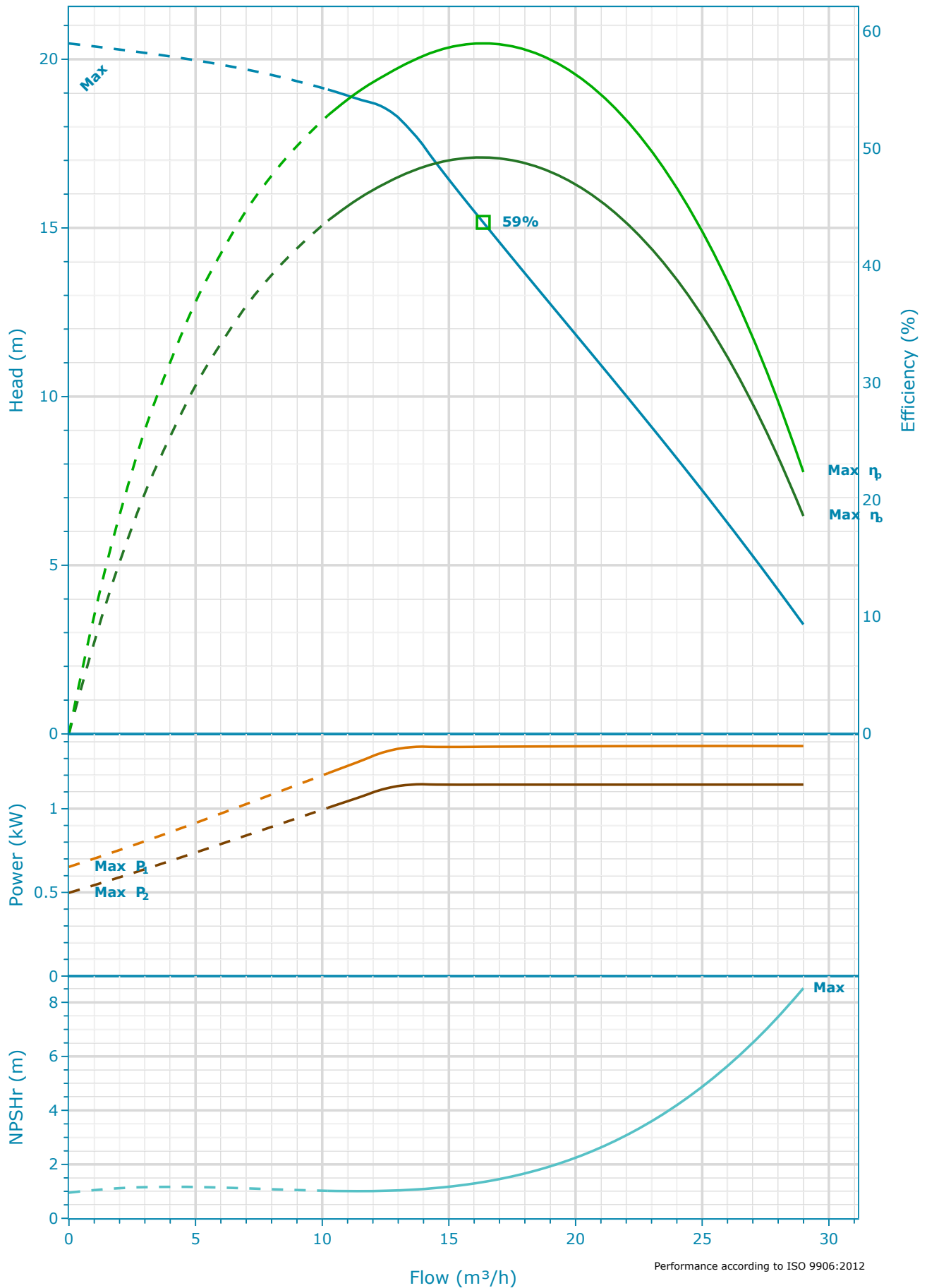
**Construction Materials**

<b>Pump body (1)</b> Stainless steel / AISI 304	<b>Shaft (5)</b> Stainless steel / AISI 304	<b>Seal housing (9)</b> Stainless steel / AISI 304	<b>Shaft sleeve and bushing (13)</b> Tungsten carbide
<b>Impeller (2)</b> Stainless steel / AISI 304	<b>Adapter (6)</b> Cast Iron / ASTM Class 35	<b>Mechanical seal (10)</b> See Seal section	<b>Fill / Drain plugs (14)</b> Stainless steel / AISI 304
<b>Diffuser (3)</b> Stainless steel / AISI 304	<b>Base (7)</b> Aluminium	<b>Elastomers (11)</b> See Seal section	<b>Tie rods (15)</b> Galvanized steel
<b>Outer sleeve (4)</b> Stainless steel / AISI 304	<b>Coupling (8)</b> Aluminium	<b>Coupling protection (12)</b> Stainless steel / AISI 304	<b>Wear ring (16)</b> Technopolymer PPS

**Motor**

<b>Motor Name</b> ESM90R/311 SVE	<b>Phase</b> 3	<b>Enclosure</b> IP 55	<b>ICL</b> F
<b>Design</b> e-SM Motor	<b>Rated power</b> 1.1 kW	<b>Frame Size</b> 90R	<b>Standard</b> IEC
<b>Service Factor</b> 1	<b>Rated Current</b> 5.15-4.69/3.45-3.06 A		
<b>Voltage</b> 208-240/380-460 V	<b>Motor Vendor</b> Lowara		
<b>Speed</b> 3600.0 rpm			

### 15SVE01F011POT/5 | Hydraulic Data & Performance Curve



**Selection**

Series Standby Pumps  
e-SVE No Standby Pump

Name  
15SVE01..011

Stages  
1

Frequency  
50 Hz

Acceptance Grade  
Manufacturer's Standard

System Type  
Single Pump

Operating Pumps  
1

**Fluid and Operating Conditions**

Fluid Type Density  
Water 1,000 kg/m<sup>3</sup>

Fluid Temperature Dynamic Viscosity  
4 °C 0.002 Pa·s

Specific Gravity Fluid Vapor Pressure  
1 8.14 mbar

Atmospheric Pressure  
1,013.53 mbar

Elevation  
0 m

Ambient Temperature  
20 °C

NPSH Available  
10.27 m

Submergence  
0 m

**Design Curve**

Rated Speed BEP  
3,600 RPM 58.97 %

Min Flow BEP Flow  
10.22 m<sup>3</sup>/h 16.36 m<sup>3</sup>/h

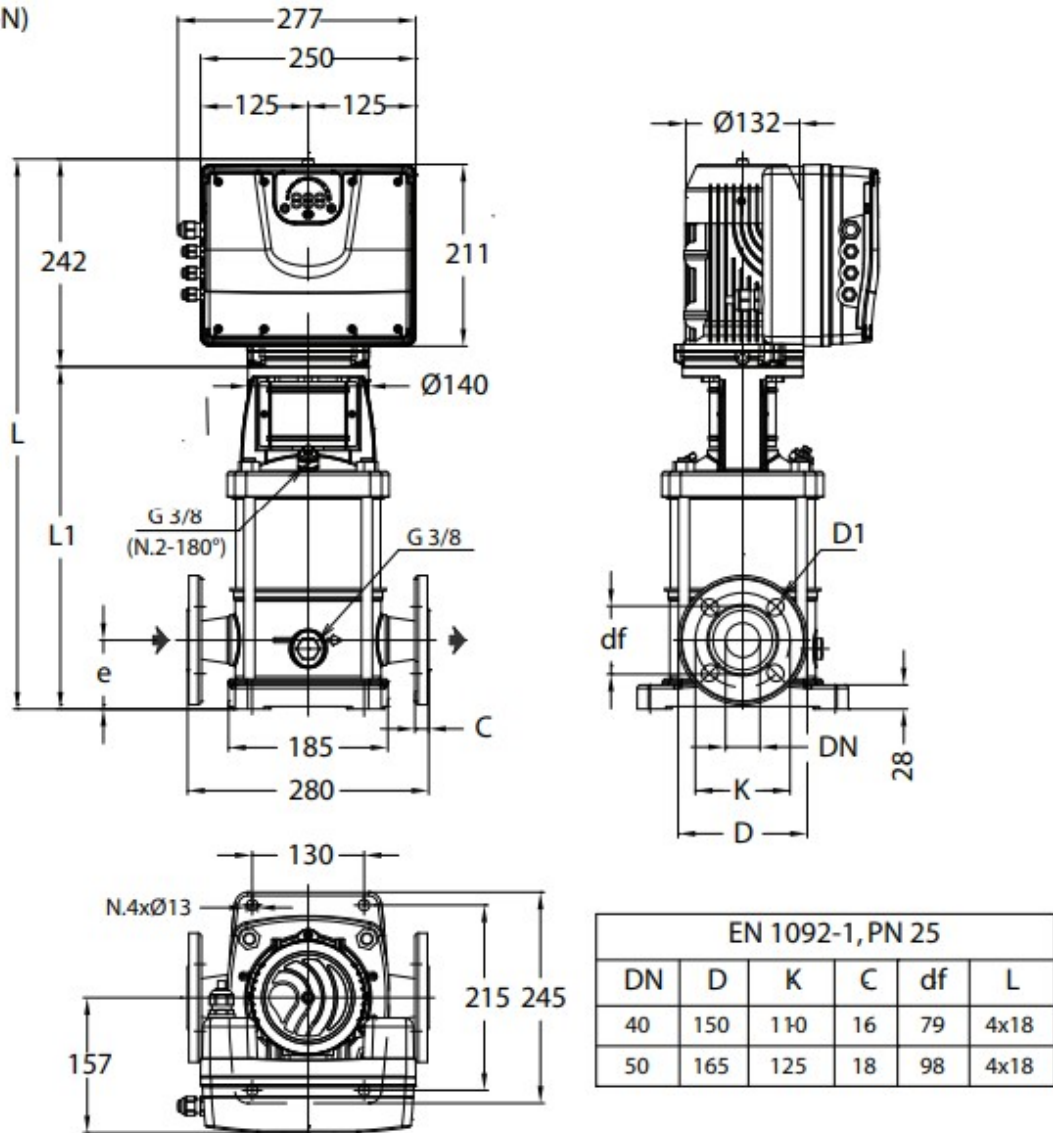
Max Flow BEP Head  
28.99 m<sup>3</sup>/h 15.16 m

H@QMin Max Operating Pressure  
19.1 m 2,004.4 mbar

H@QMax Max P2  
3.24 m 1.15 kW

**15SVE01F011POT/5** | Dimensional Data & Drawing

10-15-22SVE (F-N)



Drawing is preliminary and is subject to change.

**Dimensions**

e	Weight (Pump)
90 mm	15.4 kg
L	Total Weight
661 mm	29.9 kg
L1	
419 mm	
DN	
50 mm	