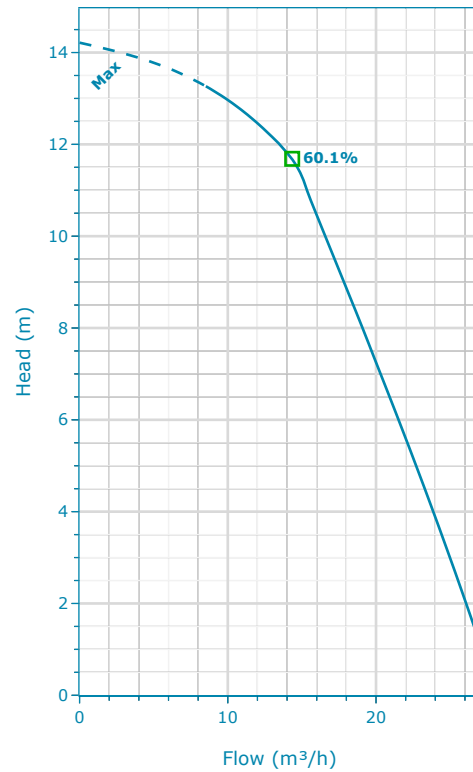


15SVE01F007POT/5 | Configuration Summary



The SVE pump is a non-self priming vertical multistage pump coupled with eSM drive. The pump casing is available with different configurations and connection types.



PUMP

Installation
Complete Pump

MATERIALS

Pump Body Material Stainless Steel (AISI 304)	Impeller Material Stainless Steel (AISI 304)
---	--

SEAL

Type of Seal Mechanical Seals	Rotating Face Silicon Carbide
Name Q1BEGG	Stationary Face Resin Impregnated Carbon
	Elastomers EPDM
	Springs AISI 316
	Metal Components AISI 316
	Min Temperature -30.0 °C
	Max Temperature 120.0 °C

MOTOR

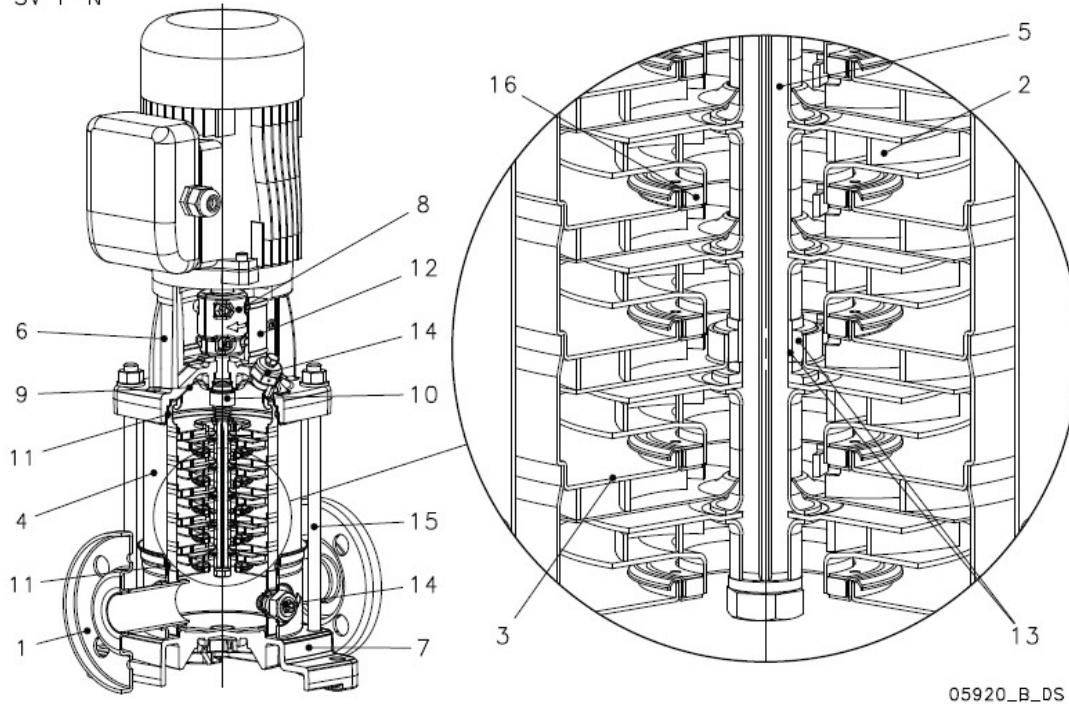
Poles 2	Power 0.75 kW
	Phase (~) 3
	Voltage 208-240/380-460 V

FLANGE

Flange
[F] = Round Flanges (AISI 304)

15SVE01F007POT/5 | Product Details

SV F-N



05920_B_DS

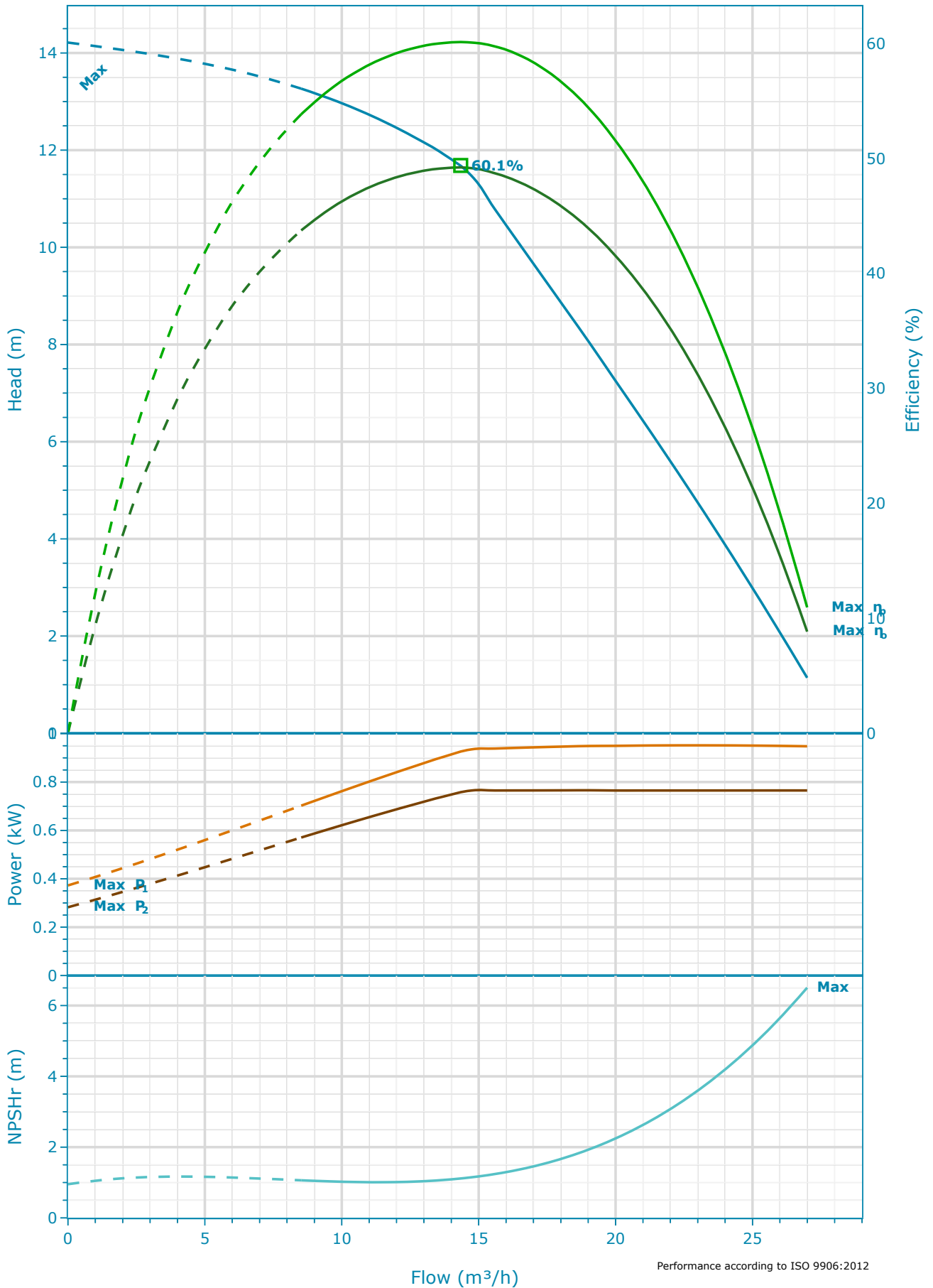
Construction Materials

Pump body (1) Stainless steel / AISI 304	Shaft (5) Stainless steel / AISI 304	Seal housing (9) Stainless steel / AISI 304	Shaft sleeve and bushing (13) Tungsten carbide
Impeller (2) Stainless steel / AISI 304	Adapter (6) Cast Iron / ASTM Class 35	Mechanical seal (10) See Seal section	Fill / Drain plugs (14) Stainless steel / AISI 304
Diffuser (3) Stainless steel / AISI 304	Base (7) Aluminium	Elastomers (11) See Seal section	Tie rods (15) Galvanized steel
Outer sleeve (4) Stainless steel / AISI 304	Coupling (8) Aluminium	Coupling protection (12) Stainless steel / AISI 304	Wear ring (16) Technopolymer PPS

Motor

Motor Name ESM90R/307 SVE	Phase 3	Enclosure IP 55	ICL F
Design e-SM Motor	Rated power 0.75 kW	Frame Size 90R	Standard IEC
Service Factor 1	Rated Current 3.74-3.28/2.43-2.20 A		
Voltage 208-240/380-460 V	Motor Vendor Lowara		
Speed 3600.0 rpm			

15SVE01F007POT/5 | Hydraulic Data & Performance Curve



Selection

Series	Standby Pumps
e-SVE	No Standby Pump
Name	
15SVE01..007	
Stages	
1	
Frequency	
50 Hz	
Acceptance Grade	
Manufacturer's Standard	
System Type	
Single Pump	
Operating Pumps	
1	

Fluid and Operating Conditions

Fluid Type	Density
Water	1,000 kg/m ³
Fluid Temperature	Dynamic Viscosity
4 °C	0.002 Pa·s
Specific Gravity	Fluid Vapor Pressure
1	8.14 mbar
	Atmospheric Pressure
	1,013.53 mbar
	Elevation
	0 m
	Ambient Temperature
	20 °C
	NPSH Available
	10.27 m
	Submergence
	0 m

Design Curve

Rated Speed	BEP
3,600 RPM	60.13 %
Min Flow	BEP Flow
8.52 m ³ /h	14.34 m ³ /h
Max Flow	BEP Head
27 m ³ /h	11.68 m
H@QMin	Max Operating Pressure
13.27 m	1,391.94 mbar
H@QMax	Max P2
1.14 m	0.77 kW

15SVE01F007POT/5 | Dimensional Data & Drawing Dimensions

There is no information available for the given configuration.