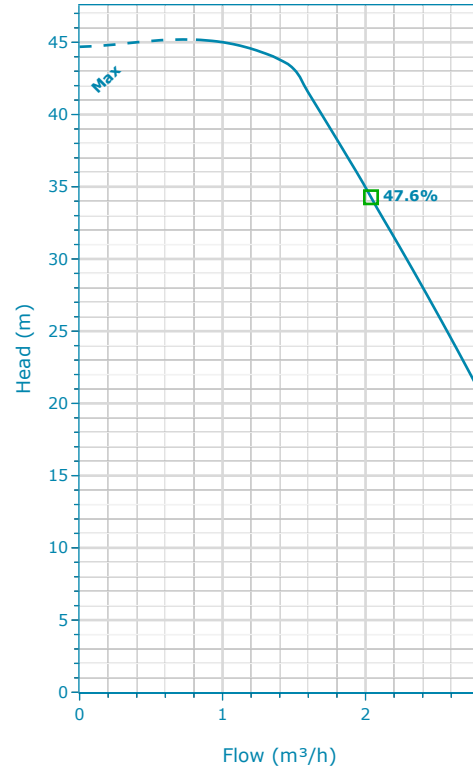


## 1SVE05F003POT/5 | Configuration Summary



The SVE pump is a non-self priming vertical multistage pump coupled with eSM drive. The pump casing is available with different configurations and connection types.



Performance according to ISO 9906:2012

### PUMP

**Installation**  
Complete Pump

### MATERIALS

<b>Pump Body Material</b> Stainless Steel (AISI 304)	<b>Impeller Material</b> Stainless Steel (AISI 304)
---	--

### SEAL

<b>Type of Seal</b> Mechanical Seals	<b>Rotating Face</b> Silicon Carbide
<b>Name</b> Q1BEGG	<b>Stationary Face</b> Resin Impregnated Carbon
	<b>Elastomers</b> EPDM
	<b>Springs</b> AISI 316
	<b>Metal Components</b> AISI 316
	<b>Min Temperature</b> -30.0 °C
	<b>Max Temperature</b> 120.0 °C

### MOTOR

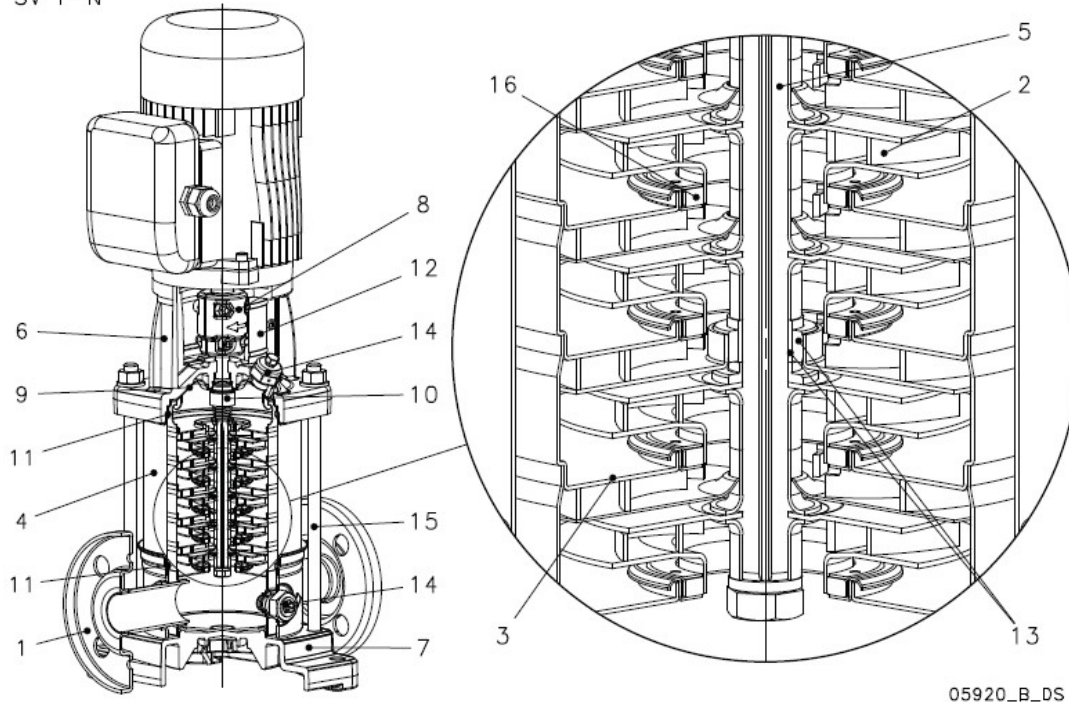
<b>Poles</b> 2	<b>Power</b> 0.37 kW
	<b>Phase (~)</b> 3
	<b>Voltage</b> 208-240/380-460 V

### FLANGE

**Flange**  
[F] = Round Flanges (AISI 304)

**1SVE05F003POT/5** | Product Details

SV F-N



05920\_B\_DS

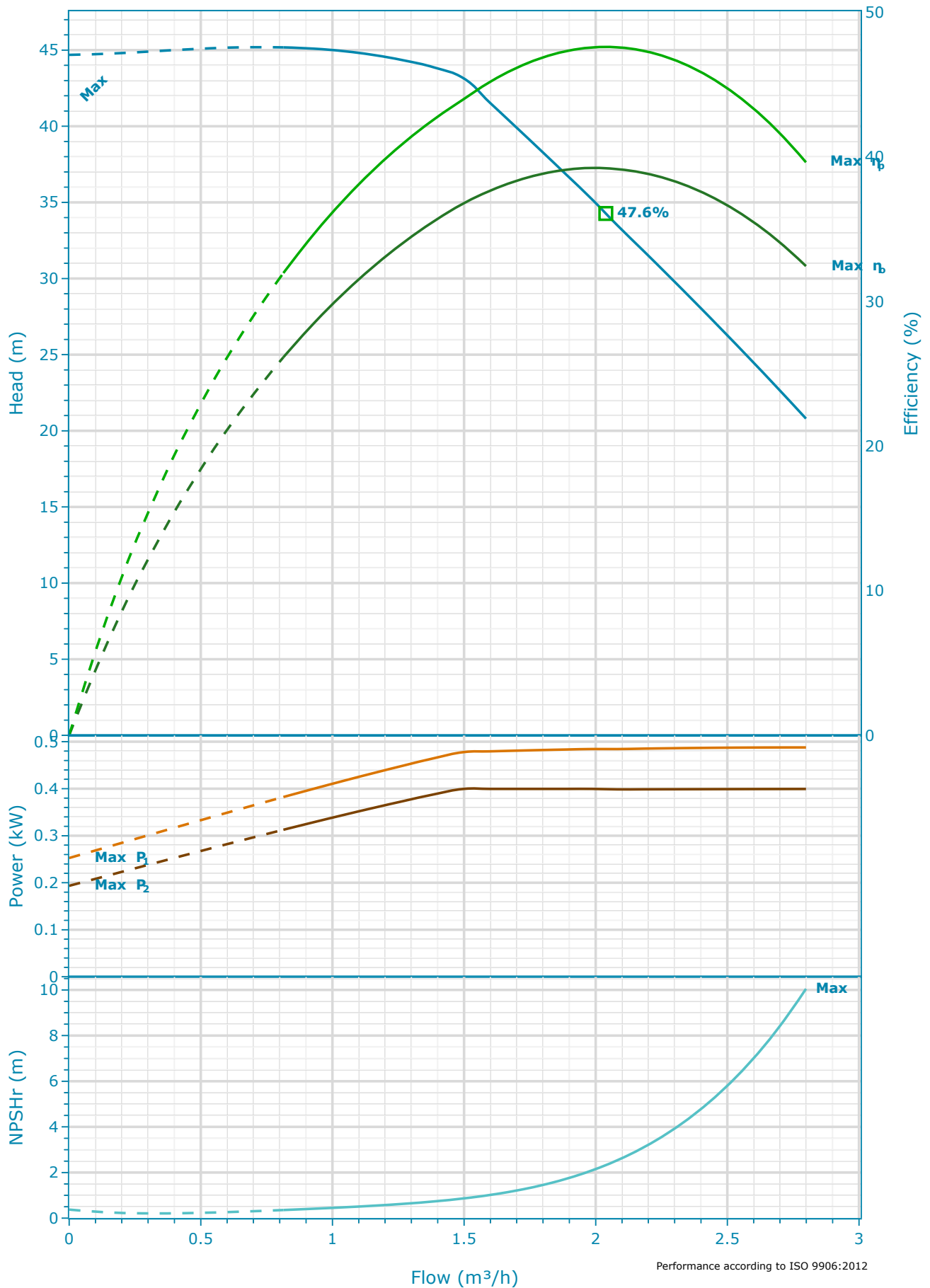
**Construction Materials**

<b>Pump body (1)</b> Stainless steel / AISI 304	<b>Shaft (5)</b> Stainless steel / AISI 304	<b>Seal housing (9)</b> Stainless steel / AISI 304	<b>Shaft sleeve and bushing (13)</b> Tungsten carbide
<b>Impeller (2)</b> Stainless steel / AISI 304	<b>Adapter (6)</b> Cast Iron / ASTM Class 35	<b>Mechanical seal (10)</b> See Seal section	<b>Fill / Drain plugs (14)</b> Stainless steel / AISI 304
<b>Diffuser (3)</b> Stainless steel / AISI 304	<b>Base (7)</b> Aluminium	<b>Elastomers (11)</b> See Seal section	<b>Tie rods (15)</b> Galvanized steel
<b>Outer sleeve (4)</b> Stainless steel / AISI 304	<b>Coupling (8)</b> Aluminium	<b>Coupling protection (12)</b> Stainless steel / AISI 304	<b>Wear ring (16)</b> Technopolymer PPS

**Motor**

<b>Motor Name</b> ESM90R/303 SVE	<b>Phase</b> 3	<b>Enclosure</b> IP 55	<b>ICL</b> F
<b>Design</b> e-SM Motor	<b>Rated power</b> 0.37 kW	<b>Frame Size</b> 90R	<b>Standard</b> IEC
<b>Service Factor</b> 1	<b>Rated Current</b> 2.13-1.83/1.43-1.33 A		
<b>Voltage</b> 208-240/380-460 V	<b>Motor Vendor</b> Lowara		
<b>Speed</b> 3600.0 rpm			

### 1SVE05F003POT/5 | Hydraulic Data & Performance Curve



**Selection**

Series	Standby Pumps
e-SVE	No Standby Pump
Name	
1SVE05..003	
Stages	
5	
Frequency	
50 Hz	
Acceptance Grade	
Manufacturer's Standard	
System Type	
Single Pump	
Operating Pumps	
1	

**Fluid and Operating Conditions**

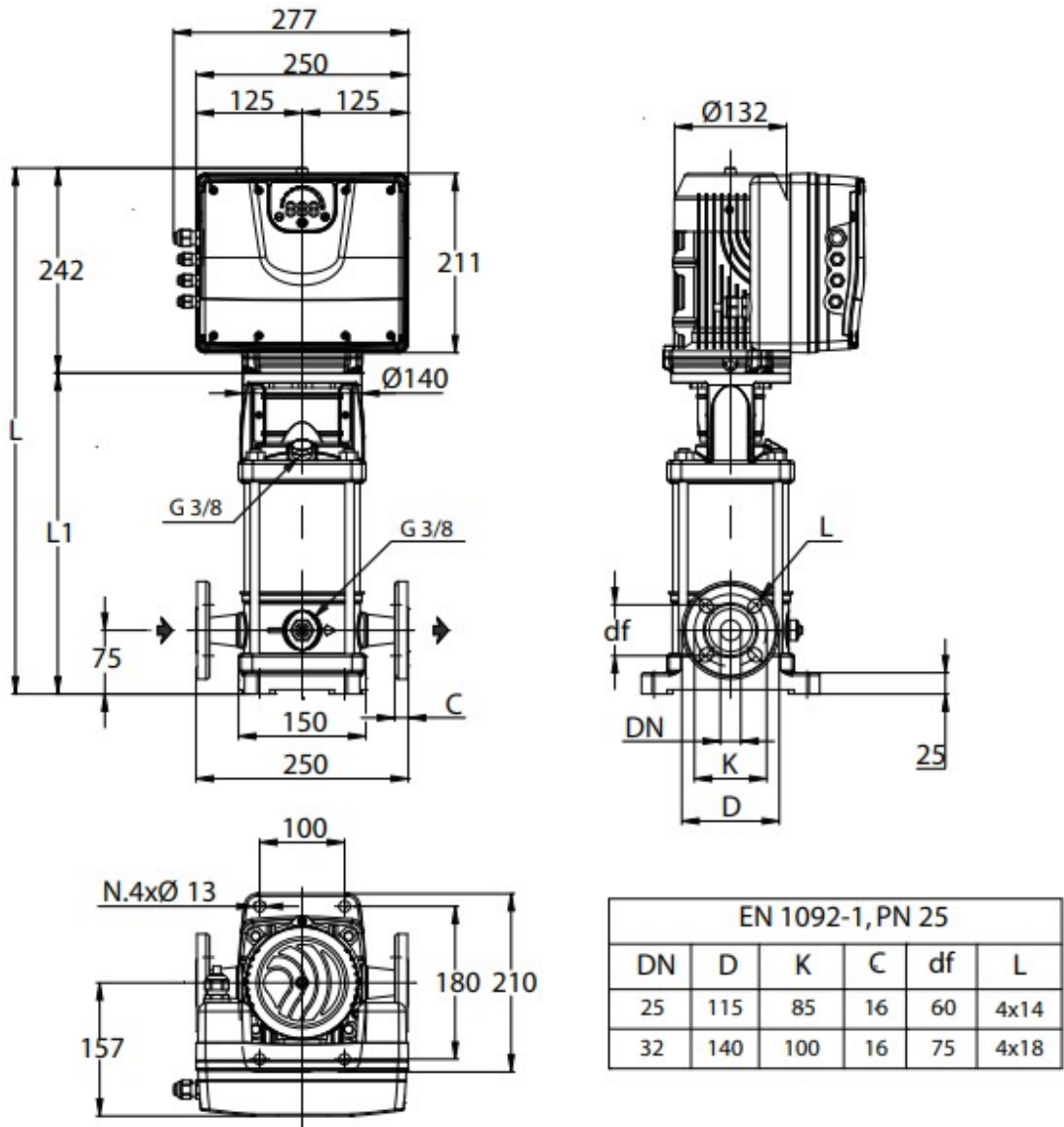
Fluid Type	Density
Water	1,000 kg/m <sup>3</sup>
Fluid Temperature	Dynamic Viscosity
4 °C	0.002 Pa·s
Specific Gravity	Fluid Vapor Pressure
1	8.14 mbar
	Atmospheric Pressure
	1,013.53 mbar
	Elevation
	0 m
	Ambient Temperature
	20 °C
	NPSH Available
	10.27 m
	Submergence
	0 m

**Design Curve**

Rated Speed	BEP
3,600 RPM	47.61 %
Min Flow	BEP Flow
0.81 m <sup>3</sup> /h	2.04 m <sup>3</sup> /h
Max Flow	BEP Head
2.8 m <sup>3</sup> /h	34.27 m
H@QMin	Max Operating Pressure
45.18 m	4,425.77 mbar
H@QMax	Max P2
20.8 m	0.4 kW

**1SVE05F003POT/5** | Dimensional Data & Drawing

1-3-5SVE (F-N)



Drawing is preliminary and is subject to change.

**Dimensions**

<b>D1</b>	<b>Weight (Pump)</b>
4 x 14	10.1 kg
<b>L</b>	<b>Total Weight</b>
580 mm	23.1 kg
<b>L1</b>	
338 mm	
<b>DN</b>	
25 mm	