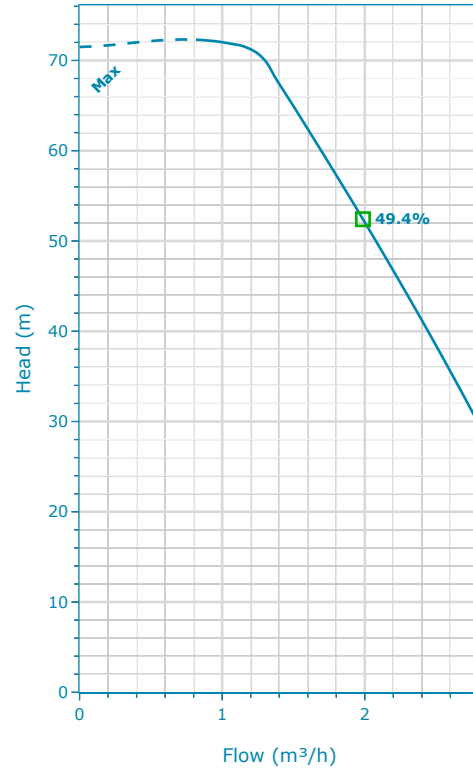


## 1SVE08R005POM/2 | Configuration Summary



The SVE pump is a non-self priming vertical multistage pump coupled with eSM drive. The pump casing is available with different configurations and connection types.



Performance according to ISO 9906:2012

### PUMP

**Installation**  
Complete Pump

### MATERIALS

|   |  |
|---|--|
| <b>Pump Body Material</b><br>Stainless Steel (AISI 304) | <b>Impeller Material</b><br>Stainless Steel (AISI 304) |
|---|--|

### SEAL

|   |  |
|---|--|
| <b>Type of Seal</b><br>Mechanical Seals | <b>Rotating Face</b><br>Silicon Carbide            |
| <b>Name</b><br>Q1BEGG                   | <b>Stationary Face</b><br>Resin Impregnated Carbon |
|   | <b>Elastomers</b><br>EPDM                          |
|   | <b>Springs</b><br>AISI 316                         |
|   | <b>Metal Components</b><br>AISI 316                |
|   | <b>Min Temperature</b><br>-30.0 °C                 |
|   | <b>Max Temperature</b><br>120.0 °C                 |

### MOTOR

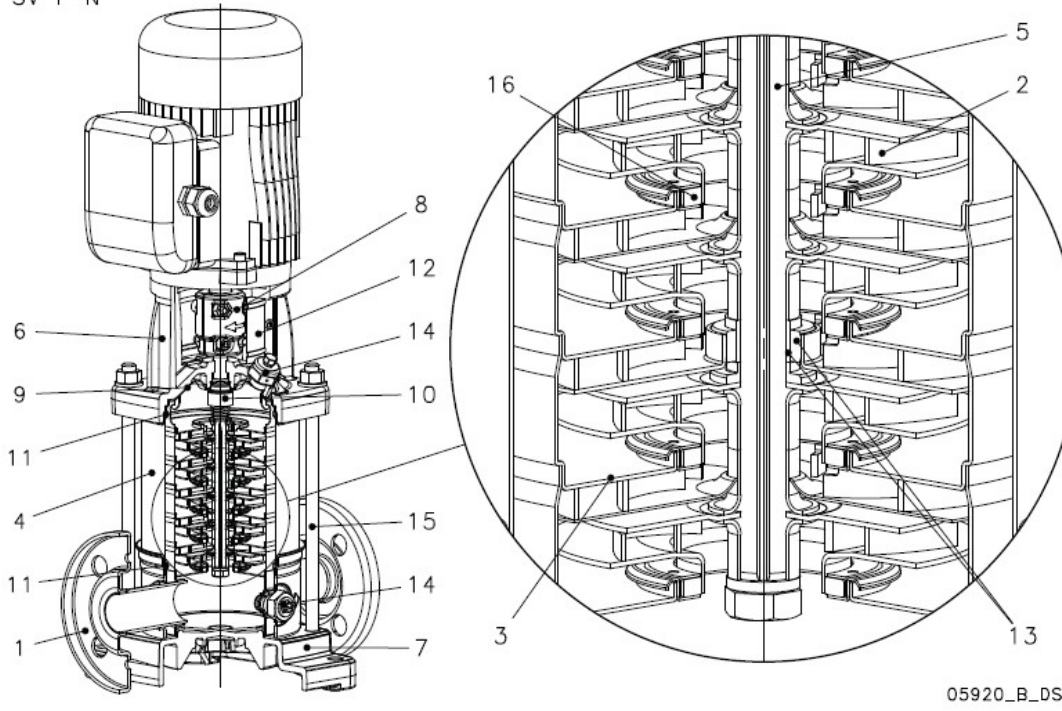
|                   |                             |
|-------------------|-----------------------------|
| <b>Poles</b><br>2 | <b>Power</b><br>0.55 kW     |
|                   | <b>Phase (~)</b><br>1       |
|                   | <b>Voltage</b><br>208-240 V |

### FLANGE

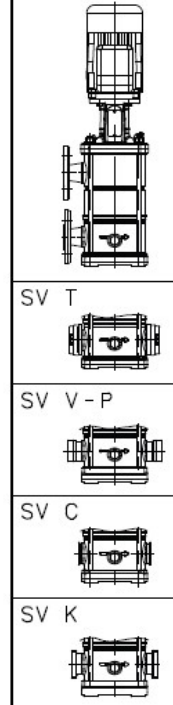
**Flange**  
[R] = Round Flanges - Discharge port above suction (AISI 304)

**1SVE08R005POM/2** | Product Details

SV F-N



SV R



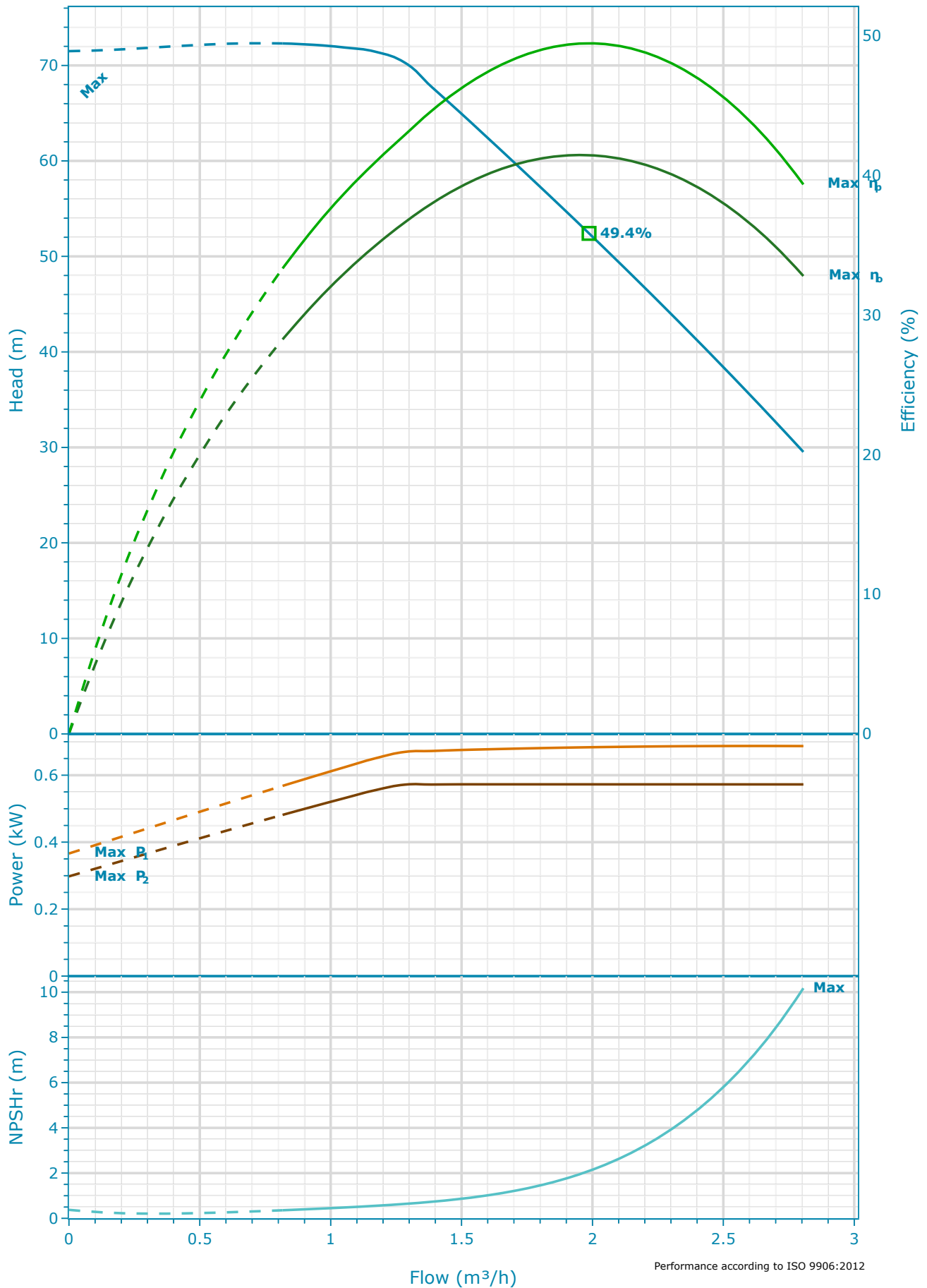
**Construction Materials**

|   |   |   |  |
|---|---|---|--|
| <b>Pump body (1)</b><br>Stainless steel / AISI 304    | <b>Shaft (5)</b><br>Stainless steel / AISI 304  | <b>Seal housing (9)</b><br>Stainless steel / AISI 304         | <b>Shaft sleeve and bushing (13)</b><br>Tungsten carbide     |
| <b>Impeller (2)</b><br>Stainless steel / AISI 304     | <b>Adapter (6)</b><br>Cast Iron / ASTM Class 35 | <b>Mechanical seal (10)</b><br>See Seal section               | <b>Fill / Drain plugs (14)</b><br>Stainless steel / AISI 304 |
| <b>Diffuser (3)</b><br>Stainless steel / AISI 304     | <b>Base (7)</b><br>Aluminium                    | <b>Elastomers (11)</b><br>See Seal section                    | <b>Tie rods (15)</b><br>Galvanized steel                     |
| <b>Outer sleeve (4)</b><br>Stainless steel / AISI 304 | <b>Coupling (8)</b><br>Aluminium                | <b>Coupling protection (12)</b><br>Stainless steel / AISI 304 | <b>Wear ring (16)</b><br>Technopolymer PPS                   |

**Motor**

|                                     |                                     |                           |                        |
|-------------------------------------|-------------------------------------|---------------------------|------------------------|
| <b>Motor Name</b><br>ESM90R/105 SVE | <b>Phase</b><br>1                   | <b>Enclosure</b><br>IP 55 | <b>ICL</b><br>F        |
| <b>Design</b><br>e-SM Motor         | <b>Rated power</b><br>0.55 kW       | <b>Frame Size</b><br>90R  | <b>Standard</b><br>IEC |
| <b>Service Factor</b><br>1          | <b>Rated Current</b><br>3.27-2.85 A |                           |                        |
| <b>Voltage</b><br>208-240 V         | <b>Motor Vendor</b><br>Lowara       |                           |                        |
| <b>Speed</b><br>3600.0 rpm          |                                     |                           |                        |

**1SVE08R005P0M/2** | Hydraulic Data & Performance Curve



**Selection**

|                         |                 |
|-------------------------|-----------------|
| Series                  | Standby Pumps   |
| e-SVE                   | No Standby Pump |
| Name                    |                 |
| 1SVE08..005             |                 |
| Stages                  |                 |
| 8                       |                 |
| Frequency               |                 |
| 50 Hz                   |                 |
| Acceptance Grade        |                 |
| Manufacturer's Standard |                 |
| System Type             |                 |
| Single Pump             |                 |
| Operating Pumps         |                 |
| 1                       |                 |

**Fluid and Operating Conditions**

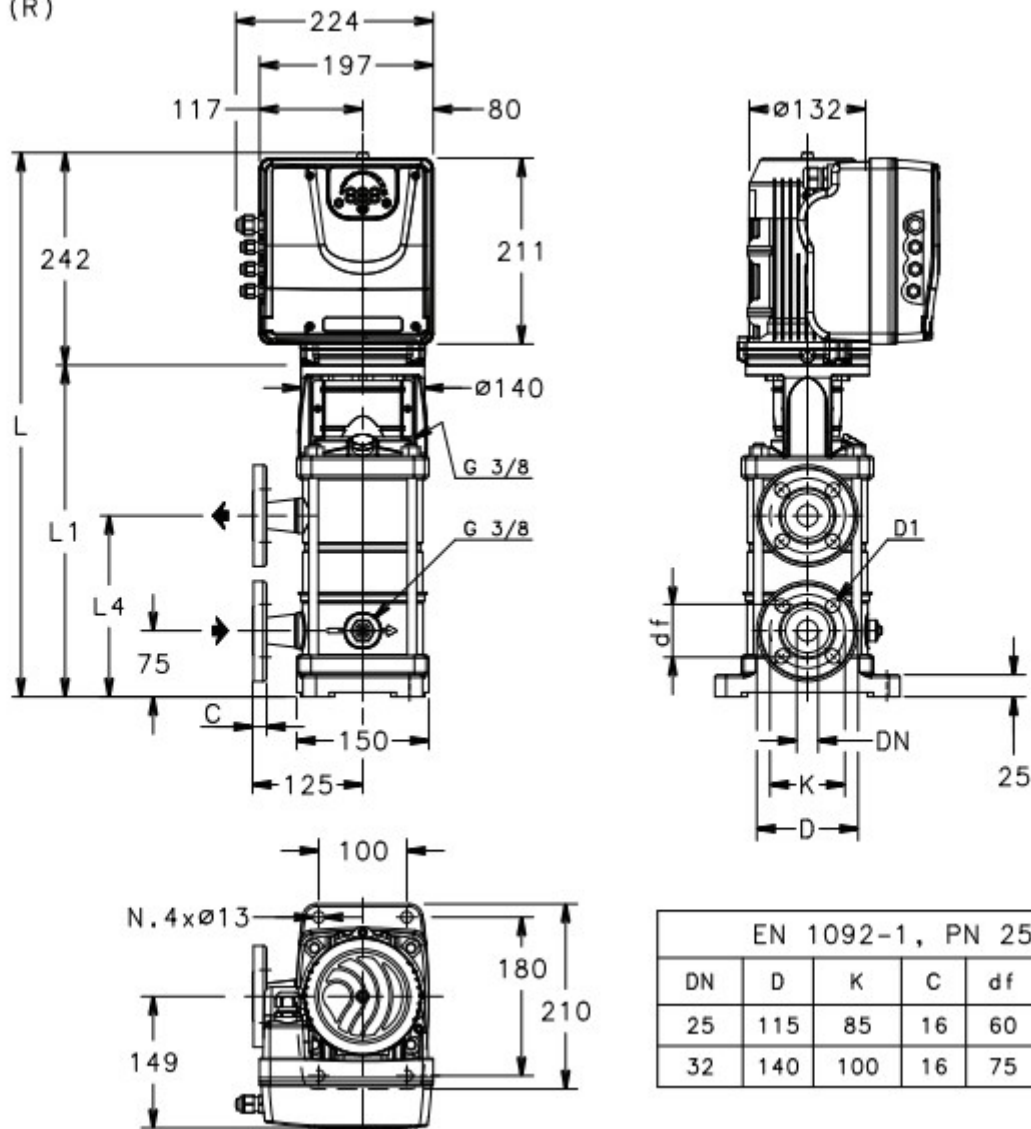
|                   |                         |
|-------------------|-------------------------|
| Fluid Type        | Density                 |
| Water             | 1,000 kg/m <sup>3</sup> |
| Fluid Temperature | Dynamic Viscosity       |
| 4 °C              | 0.002 Pa·s              |
| Specific Gravity  | Fluid Vapor Pressure    |
| 1                 | 8.14 mbar               |
|                   | Atmospheric Pressure    |
|                   | 1,013.53 mbar           |
|                   | Elevation               |
|                   | 0 m                     |
|                   | Ambient Temperature     |
|                   | 20 °C                   |
|                   | NPSH Available          |
|                   | 10.27 m                 |
|                   | Submergence             |
|                   | 0 m                     |

**Design Curve**

|                        |                        |
|------------------------|------------------------|
| Rated Speed            | BEP                    |
| 3,600 RPM              | 49.44 %                |
| Min Flow               | BEP Flow               |
| 0.82 m <sup>3</sup> /h | 1.99 m <sup>3</sup> /h |
| Max Flow               | BEP Head               |
| 2.81 m <sup>3</sup> /h | 52.41 m                |
| H@QMin                 | Max Operating Pressure |
| 72.3 m                 | 7,082.49 mbar          |
| H@QMax                 | Max P2                 |
| 29.53 m                | 0.57 kW                |

## 1SVE08R005POM/2 | Dimensional Data & Drawing

1-3-5SVE (R)



Drawing is preliminary and is subject to change.

### Dimensions

|        |               |
|--------|---------------|
| D1     | DN            |
| 4 x 14 | 25 mm         |
| L      | Weight (Pump) |
| 640 mm | 11.6 kg       |
| L1     | Total Weight  |
| 227 mm | 19.1 kg       |
| L4     |               |
| 227 mm |               |