

THE NEW ALPHA2 BEST IN ENERGY EFFICIENCY

The new ALPHA2 circulator takes innovation to new heights, offering the market's best energy efficiency by far along with unprecedented reliability.

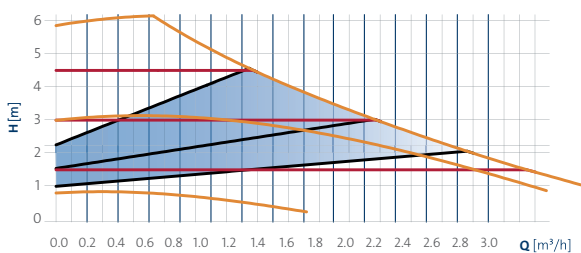
If you want the best in energy efficiency combined with operational reliability and ease of installation, the new ALPHA2 is the obvious choice. Based on the world's best-selling circulator for domestic buildings, it has been redesigned from the inside out to deliver exceptional performance.

New ALPHA2 benefits include:

- **World-class energy efficiency** – with an EEL of just 0.17
- **Outstanding reliability** – runs smoothly and efficiently under even the most demanding conditions
- **High comfort, reduced noise and low energy consumption** – thanks to the AUTO_{ADAPT} function
- **Versatile application** – covers both heating and cooling applications
- **Easy installation** – with the renowned ALPHA plug
- **One model** – to cover both 5m and 6m applications
- **Flow meter function** – aids system balancing.

PERFORMANCE CURVES

New ALPHA2 15-50/60



TECHNICAL DATA

| | |
|---|------------------------------------|
| Supply voltage: | 1x230V+/-10% – 50/60 Hz |
| Flow rate, Q_{max}: | 2.4 m ³ /h |
| Liquid temperature: | +2°C to +110°C |
| Temperature class: | TF 110 |
| System pressure, P_{max}: | Max. 1.0 MPa, 10 bar |
| Ambient temperature: | 0°C to +40°C |
| Enclosure class: | IPX4D |
| Insulation class: | F |
| EEL: | ≤ 0.17 (EuP/ErP 2015 compliant) |

KEY

- AUTO_{ADAPT} area
- Constant pressure (CP) curves
- Proportional pressure (PP) curves
- Fixed speed 1-2-3



THE NEW ALPHA2 IN MORE DETAIL

Resistant to corrosion and condensation
Cataphoresis surface coating and improved condensation ability allow the ALPHA2 to pump media down to +2° C at any ambient temperature and humidity.



Long life
Ceramic shaft and bearings minimise friction and extend the pump's service life.

Increased efficiency
Advanced hydraulics and a carefully redesigned motor ensure significantly improved efficiency, which translates into the impressive low EEI.

Easy installation
· The renowned ALPHA plug makes installation quick and easy.
· The insulation shells that minimise heat loss are now available as standard and are easily attached.

Easy commissioning
The intelligent AUTO_{ADAPT} control mode in combination with the built-in flow meter facilitates commissioning, balancing and trouble-shooting.

One pump for all needs

The new ALPHA2 features an intuitive one-touch operation that makes selecting any of the following control modes simple:

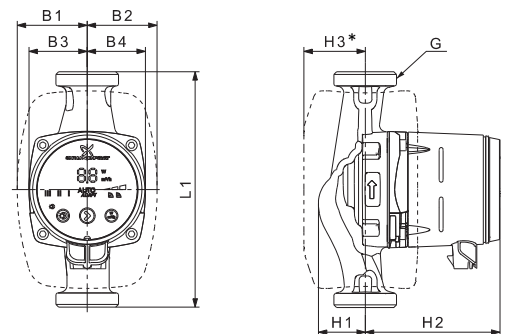
- **AUTO_{ADAPT}** – selects the optimum setting to find the perfect balance between comfort and efficiency. AUTO_{ADAPT} is the factory setting and the recommended setting for 80% of all systems.
- **Proportional pressure** – varies proportionally with the flow and is the preferred choice for one-string systems with high flow variations
- **Constant pressure** – is maintained regardless of the flow; the preferred choice for underfloor heating and two-string systems with low flow variation
- **Constant speed** – offers three constant speed modes for constant flow applications.

Thanks to the in-built memory, settings are automatically remembered even in the event of a power outage.

TYPES

| Pump type | ≤EEI | Product number |
|------------------------------------|------|----------------|
| ALPHA2 15-50/60 130 1x230V 50Hz 6H | 0.17 | 98734596 |

DIMENSIONS



Dimensions (mm)

| L1 | B1 | B2 | B3 | B4 | H1 | H2 | H3* | G |
|-----|------|------|------|------|------|-------|-----|----|
| 130 | 60.5 | 60.5 | 44.5 | 44.5 | 35.8 | 103.5 | 52 | 1½ |

*To achieve highest hydraulic efficiency the pump base extends approx 10mm further backwards than previous models. Check available space before purchase.

How to operate

AUTO_{ADAPT}

DEFAULT ▶



Proportional pressure

1 X ▶



2 X ▶



3 X ▶



Constant pressure

4 X ▶



5 X ▶



6 X ▶



Constant speed (all heating systems)

7 X ▶



8 X ▶



9 X ▶

