

ECN.No.	DATE	DETAILS	REVISION
3448	04/02/2014	FIRST ISSUE	1
*	*	*	*
*	*	*	*
*	*	*	*

STUART TURNER LTD HENLEY-ON-THAMES.

REVISION **1** DRG.No. **31894**



THIRD ANGLE PROJECTION

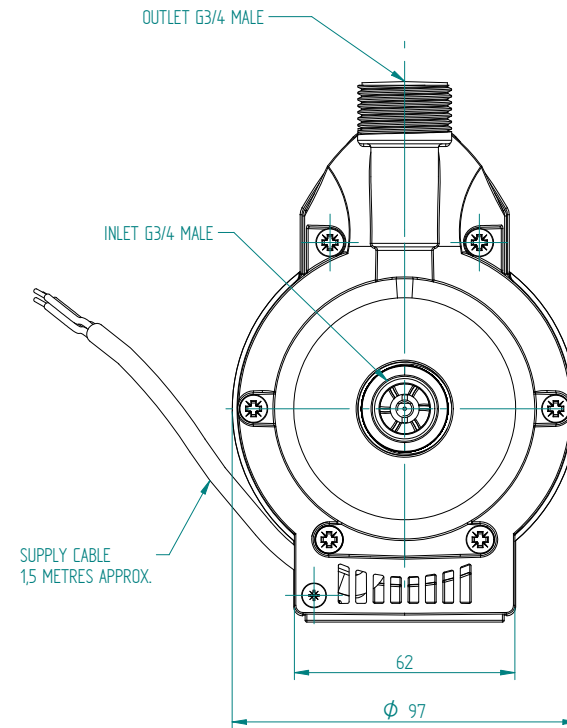
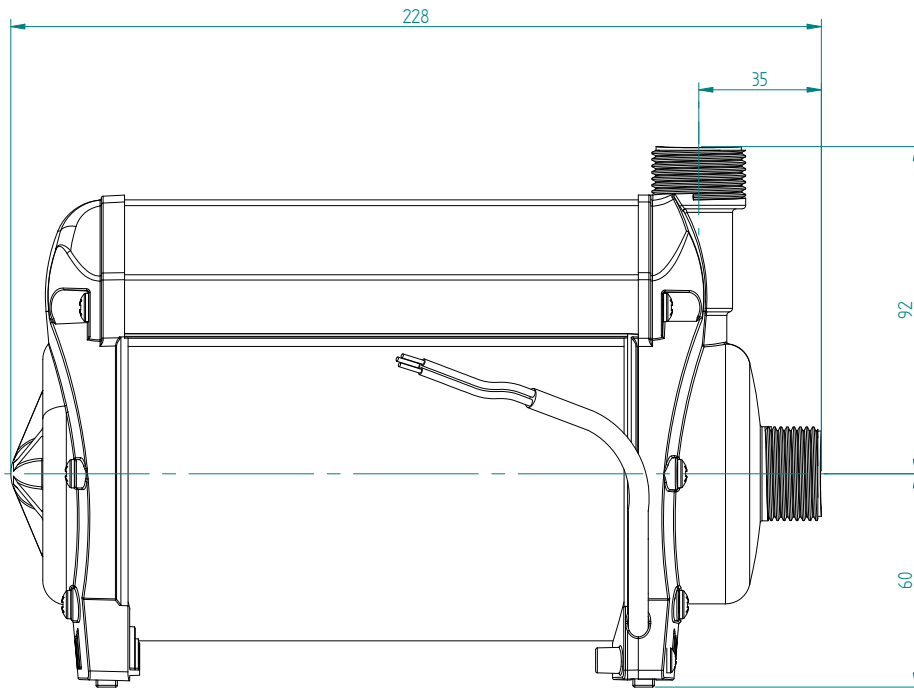
DIMENSIONS IN MILLIMETRES

MACHINING SYMBOLS TO BS 8888.

REMOVE ALL BURRS AND SHARP EDGES

If drawing is to be used for constructional purposes please contact Stuart Turner Ltd and request a certified document

Stuart Turner Ltd own the copyright within this document. The document may be printed for personal use only. The document must not be altered, reproduced or utilized in any way without written permission from Stuart Turner Ltd, Henley-on-Thames, Oxon, UK.



Stuart Turner Ltd reserves the right to amend specifications without notice.

DRAWN	KMB
CHECKED	
DATE	19/12/2013

OUTLINE ARRANGEMENT S2.0 bar Single

SUPERSEDES	*
GENERAL LIMIT	$\pm 2 \text{ mm}$
FILE	SOLIDEDGE FILES/PUMPS/GA
MATL.	*
	*
ALL COMPONENTS SUPPLIED IN RELATION TO THIS DRAWING MUST BE IN FULL COMPLIANCE WITH THE RoHS DIRECTIVE (2002/95/EC)	

SCALE	1:1
DRG.No.	31894

A2