

ECN No.	DATE	DETAILS	REVISION
2968	02/9/2011	FIRST ISSUE	1
3345	26/07/2013	PORT FLANGES ADDED	2
3356	23/08/2013	UPDATE FOR WEB SITE IMAGES	3
*	*	*	*

STUART TURNER LTD HENLEY-ON-THAMES.

REVISION	DRG No.
3	41501

THIRD ANGLE PROJECTION

DIMENSIONS IN MILLIMETRES

MACHINING SYMBOLS TO BS 8888

REMOVE ALL BURRS AND SHARP EDGES

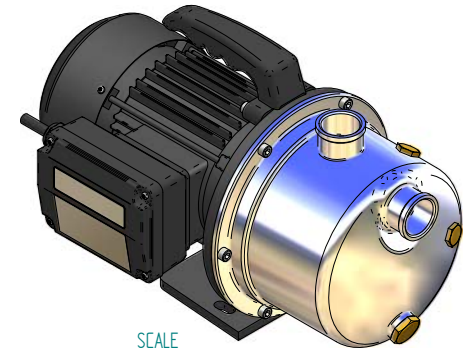
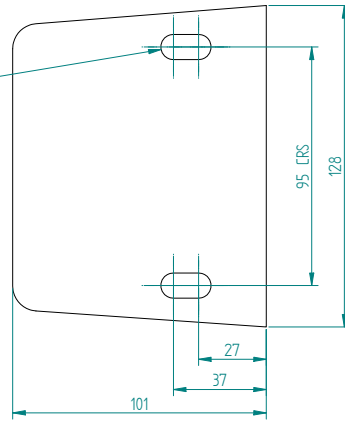
If drawing is to be used for constructional purposes please contact Stuart Turner Ltd and request a certified document

Stuart Turner Ltd own the copyright within this document. The document may be printed for personal use only. The document must not be altered, reproduced or utilized in any way without written permission from Stuart Turner Ltd, Henley-on-Thames, Oxon, UK.

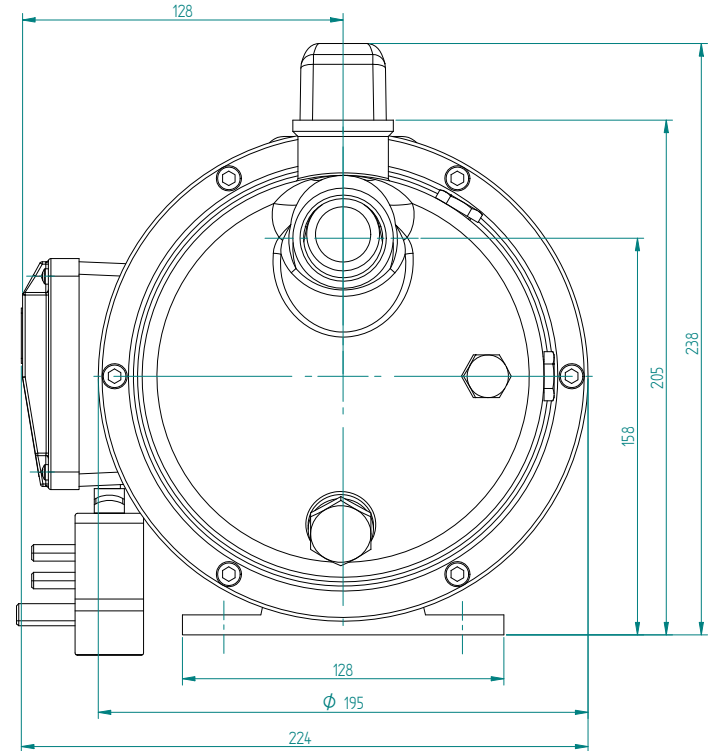
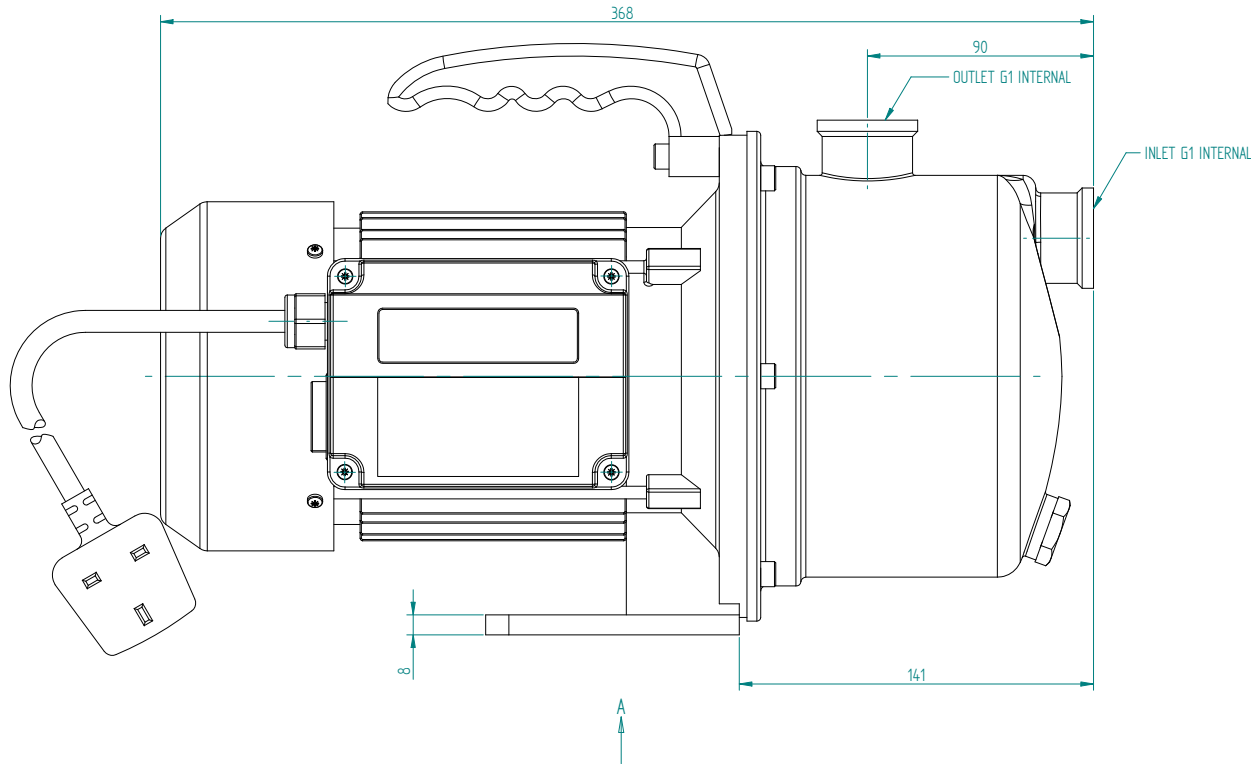
Stuart Turner Ltd reserves the right to amend specifications without notice.

2 OF SLOTS TO SUIT M8 BOLTS

VIEW A



SCALE 1:12



DRAWN	SJB
CHECKED	
DATE	14/3/2012

OUTLINE ARRANGEMENT FOR JET 80-45

SUPERSEDES	*
GENERAL LIMIT	±
FILE	SOLIDEDGE FILES\DRAWING\PUMPS\CAI41501-3
MATL.	*
ALL COMPONENTS SUPPLIED IN RELATION TO THIS DRAWING MUST BE IN FULL COMPLIANCE WITH THE RoHS DIRECTIVE (2002/95/EC)	

SCALE	1:1	A1
DRG.No.	41501	