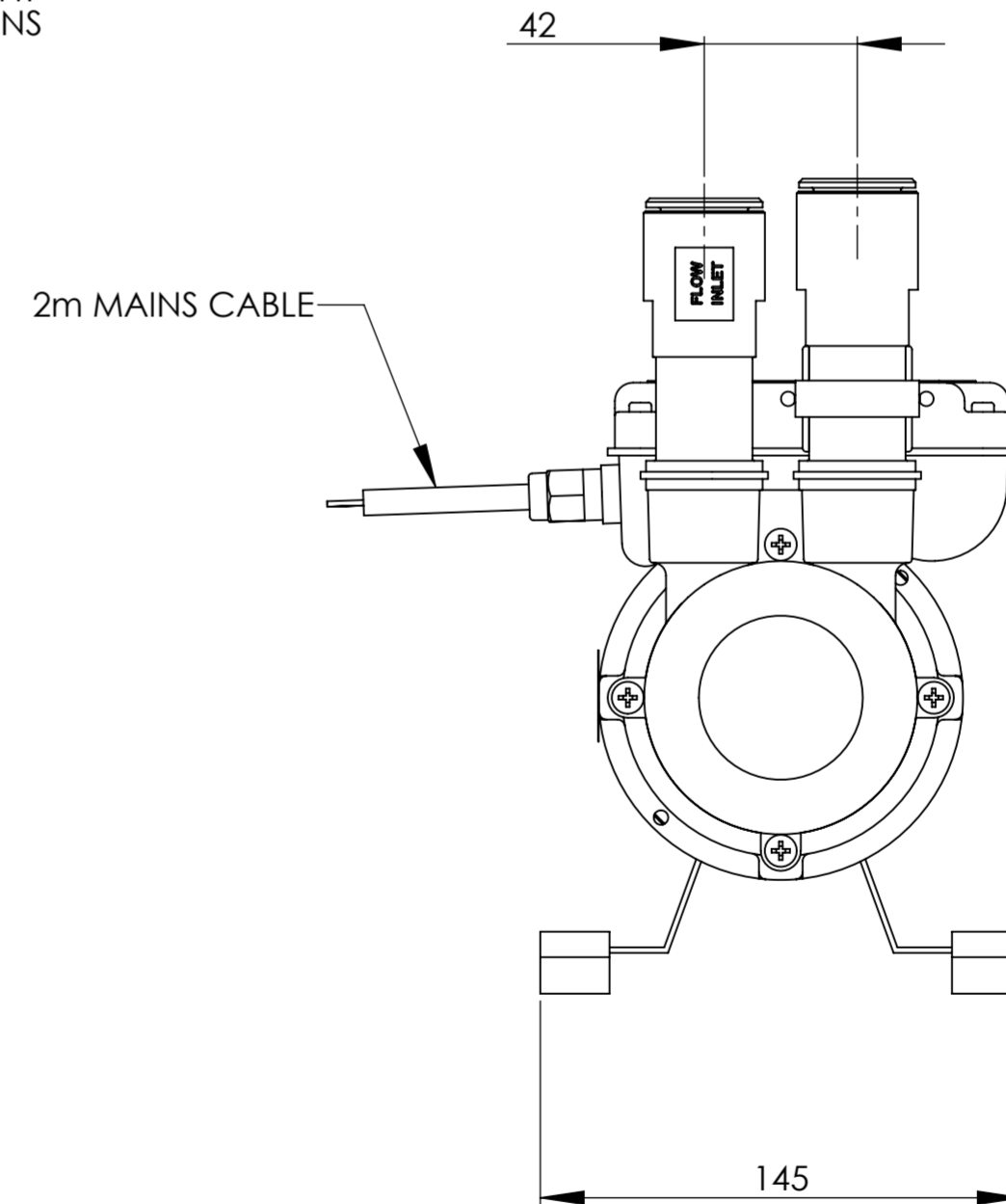
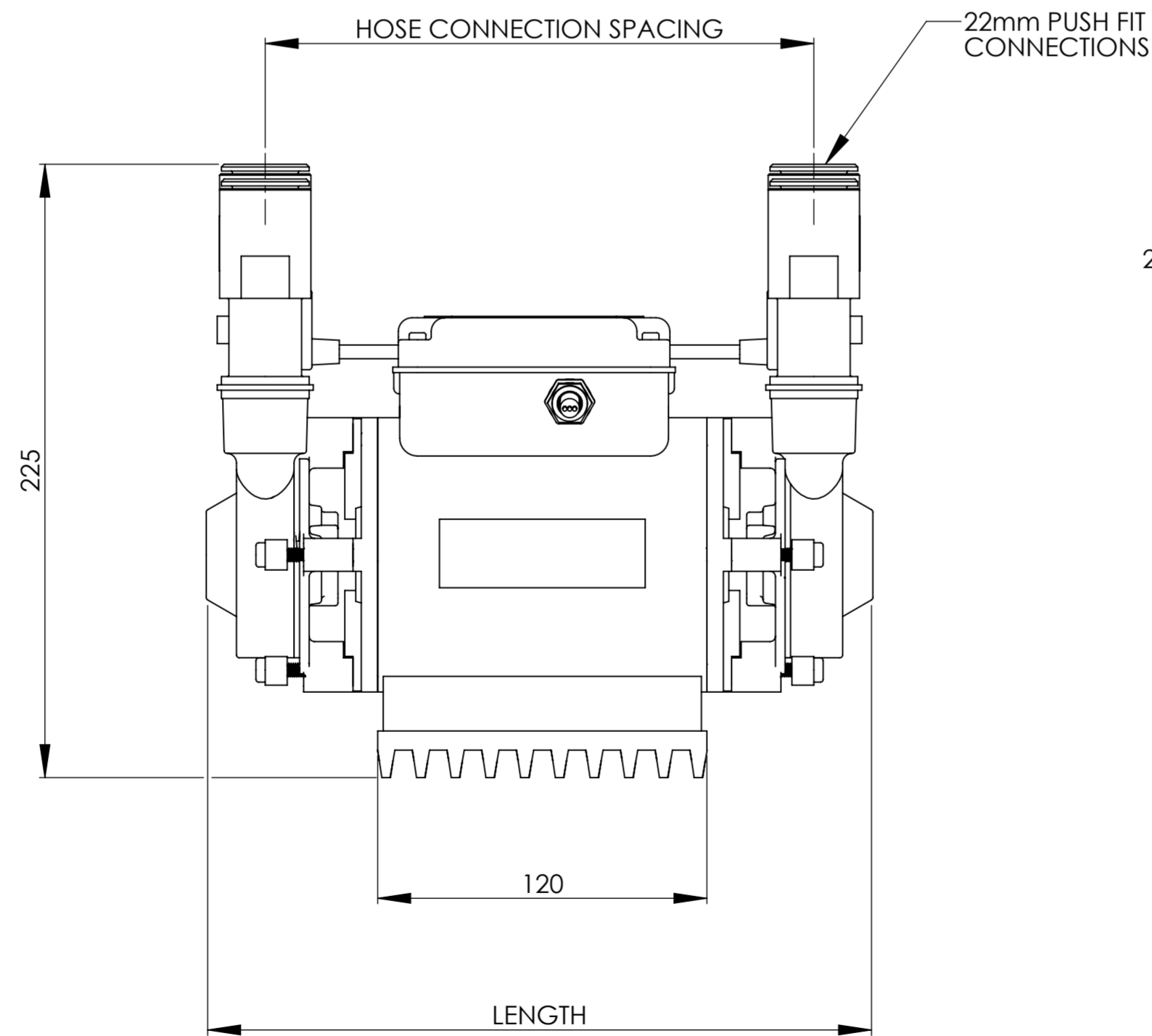
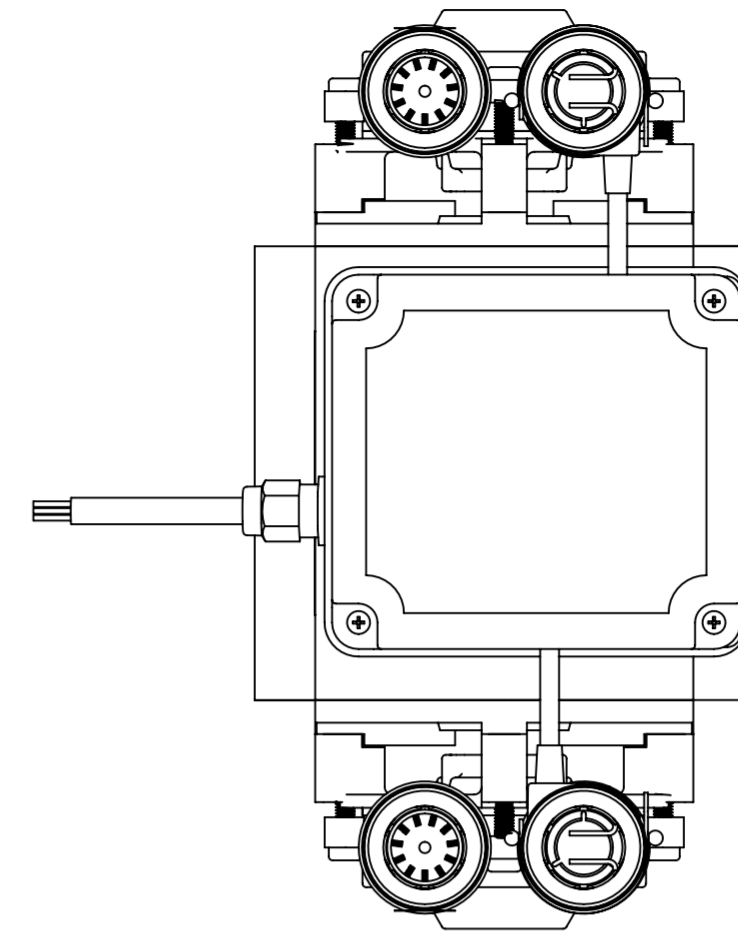


THIRD ANGLE PROJECTION

MODEL	LENGTH	HOSE CONNECTION SPACING
STP-1.0 B	230	188
STP-1.5 B	248	206



UNLESS OTHERWISE SPECIFIED: DIMENSIONS ARE IN MILLIMETERS SURFACE FINISH: TOLERANCES: LINEAR: X= ±0.3; 0.X ±0.2; 0.XX= ±0.1 ANGULAR: ±0.5 DEG				DO NOT SCALE DRAWING		WATERMILL A GRUNDFOS COMPANY Gemini House, Enterprise Way, Edenbridge. Kent. TN8 6HF.	
DRAWN: R.P.		SIGNATURE:		DATE: 22.02.08		MATERIAL:	
CHK'D:		SIGNATURE:		DATE:		WEIGHT:	
TITLE: BRASS PUMP (ST GEORGES) - LINE DRAWING - WITHOUT HOSES				DWG NO. 9025		A2	
SCALE:				SHEET 1 OF 1			

01	ORIGINAL ISSUE	22.02.08	
ISSUE	MODIFICATION	DATE	ECR No.